

United States Patent [19]

Esslinger et al.

[11] Patent Number: **Des. 284,008**

[45] Date of Patent: **** May 27, 1986**

[54] VIDEO DISPLAY FOR USE WITH A COMPUTER

[75] Inventors: **Hartmut H. Esslinger; Stephen Peart,** both of Los Gatos; **William G. MacKenzie,** San Jose, all of Calif.

[73] Assignee: **Apple Computer, Inc.,** Cupertino, Calif.

[**] Term: **14 Years**

[21] Appl. No.: **602,657**

[22] Filed: **Apr. 20, 1984**

[52] U.S. Cl. **D14/113**

[58] Field of Search **D14/100, 106, 113, 80-85; 340/700, 711; 358/254; 312/7.2**

[56] References Cited

U.S. PATENT DOCUMENTS

D. 259,343 5/1981 Chamberlain et al. D14/113
D. 271,103 10/1983 Endt D14/113
D. 278,911 5/1985 Ohnuma et al. D14/113

Primary Examiner—Susan J. Lucas

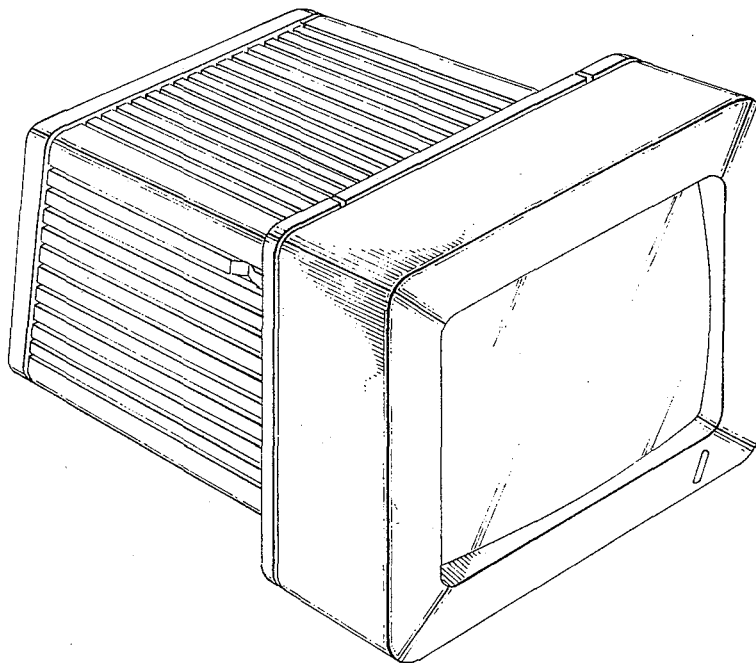
Attorney, Agent, or Firm—Blakely, Sokoloff, Taylor & Zafman

[57] CLAIM

The ornamental design for a video display for use with a computer, substantially as shown.

DESCRIPTION

FIG. 1 is a front perspective view of the video display for use with a computer showing our new design;
FIG. 2 is a top plan view thereof;
FIG. 3 is a front elevational view thereof;
FIG. 4 is a right side elevational view thereof;
FIG. 5 is a left side elevational view thereof;
FIG. 6 is a rear elevational view thereof;
FIG. 7 is a bottom plan view thereof.



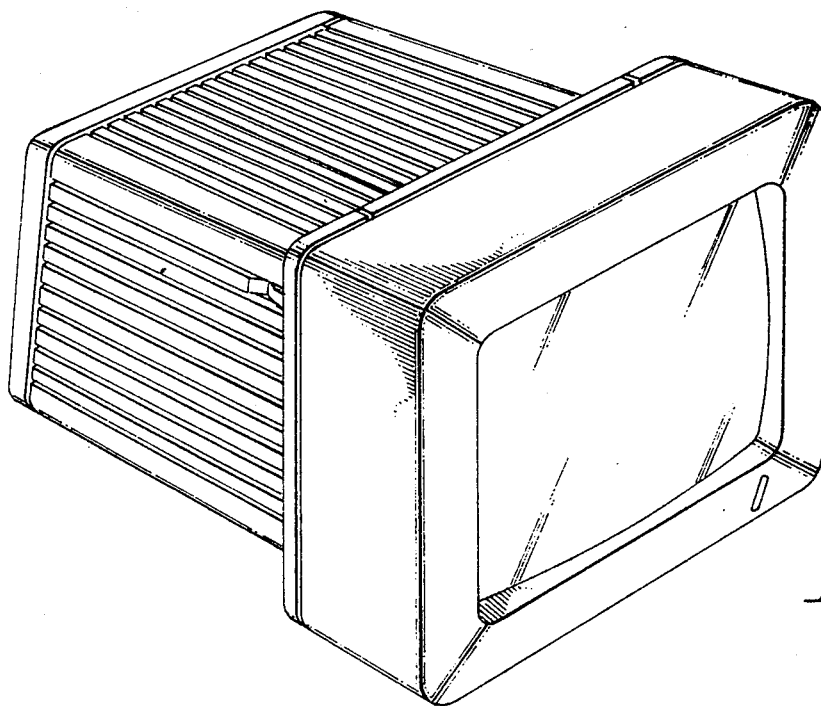


Fig. 1

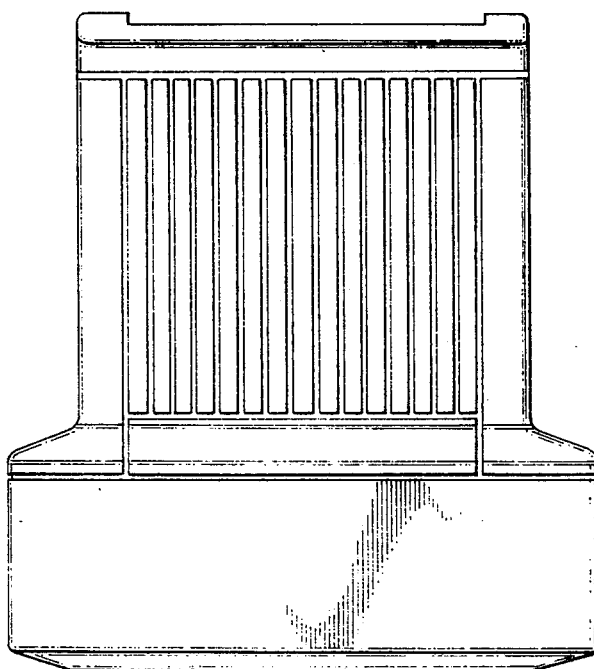


Fig. 2

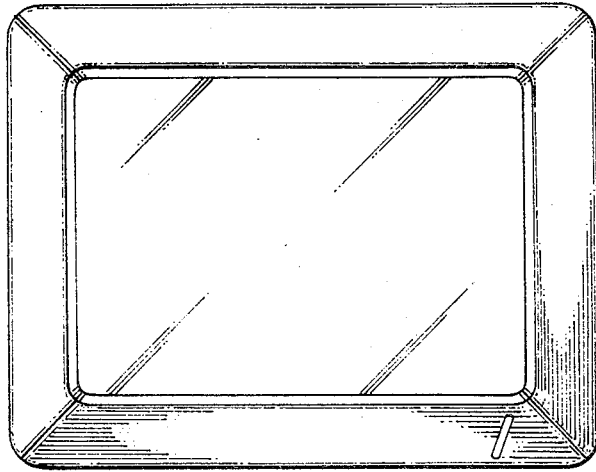


Fig. 3

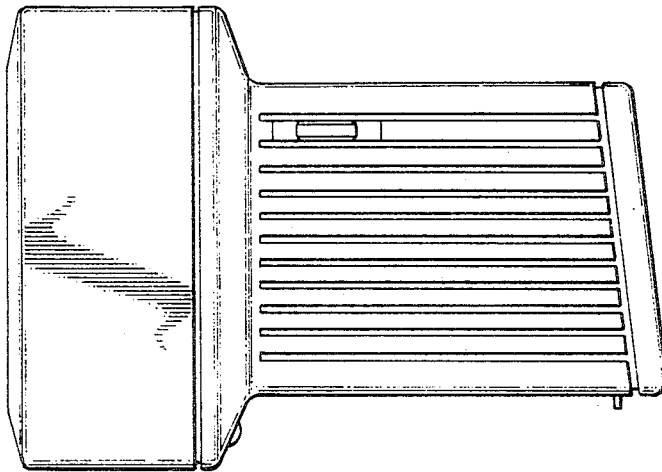
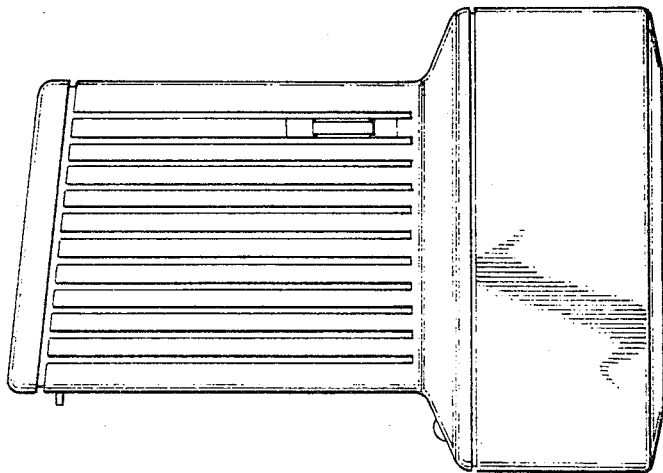


Fig. 4

Fig. 5



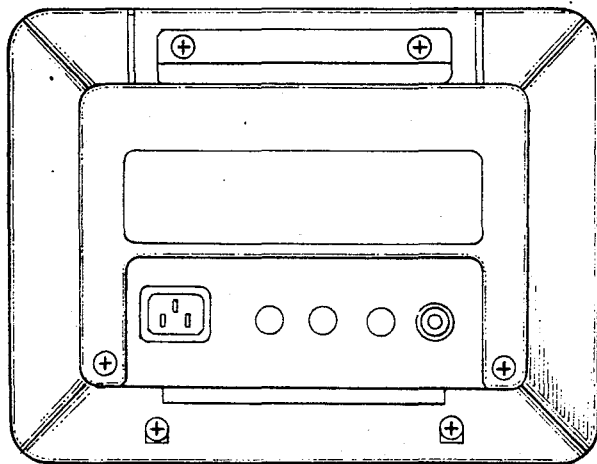


Fig. 6

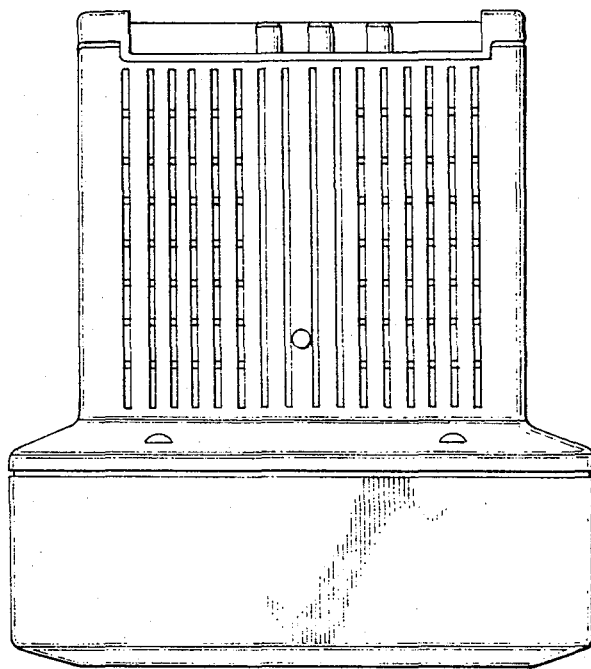


Fig. 7