

[54] MONITOR STAND

[75] Inventors: Stephen Peart, Los Gatos; Man Van-Dinh, Campbell, both of Calif.

[73] Assignee: Apple Computer, Inc., Cupertino, Calif.

[\*\*] Term: 14 Years

[21] Appl. No.: 602,655

[22] Filed: Apr. 20, 1984

[52] U.S. Cl. .... D14/114; D6/406

[58] Field of Search ..... D14/100, 101, 106, 107, D14/113, 114; D18/1, 7, 12; 340/700, 711; 358/254, 248, 249; 248/125, 133, 371, 181, 183, 178, 179

[56] References Cited

U.S. PATENT DOCUMENTS

D. 277,569	2/1985	Georgopoulos .....	D14/106 X
D. 277,962	5/1985	Thom .....	D14/106
D. 279,189	6/1985	Tsumura et al. ....	D14/113
1,348,569	8/1920	Knights .....	248/371
4,395,010	7/1983	Helgeland et al. ....	248/183 X

FOREIGN PATENT DOCUMENTS

2348103 3/1975 Fed. Rep. of Germany ..... 248/371

OTHER PUBLICATIONS

Racal-Milgo Data Communication Products Catalog, 5-1978, p. 17, Display Support.

Primary Examiner—Susan J. Lucas

Attorney, Agent, or Firm—Blakely, Sokoloff, Taylor & Zafman

[57] CLAIM

The ornamental design for a monitor stand, substantially as shown.

DESCRIPTION

FIG. 1 is a front perspective view of the monitor stand showing our new design;

FIG. 2 is a top plan view thereof;

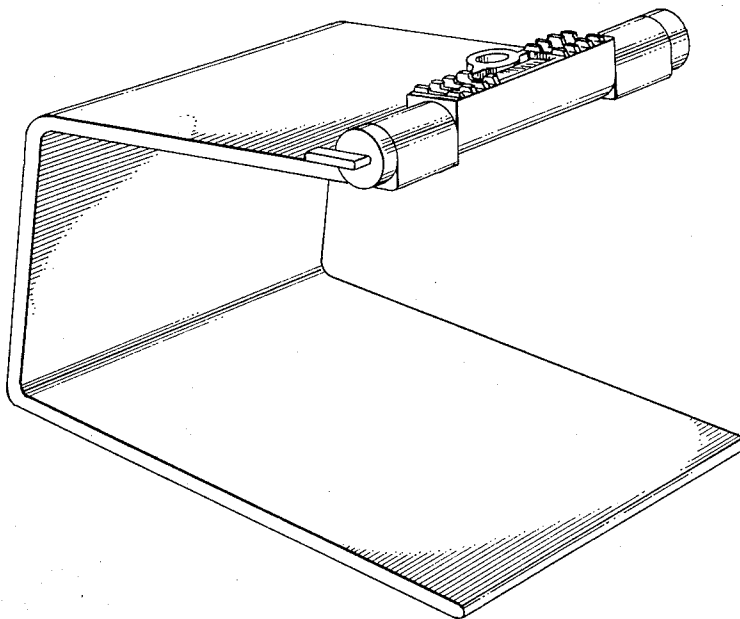
FIG. 3 is a front elevation view thereof;

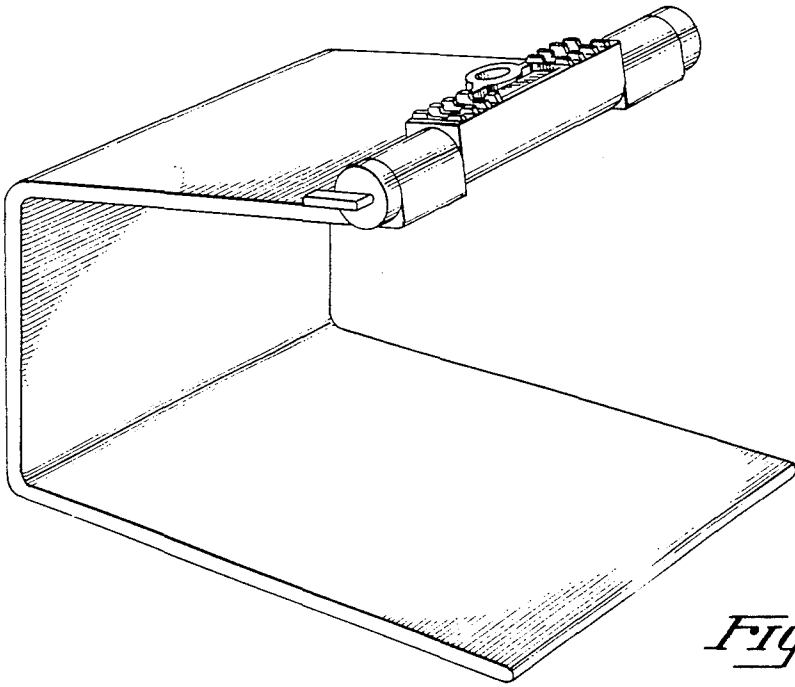
FIG. 4 is a right side elevation view thereof;

FIG. 5 is a left side elevation view thereof;

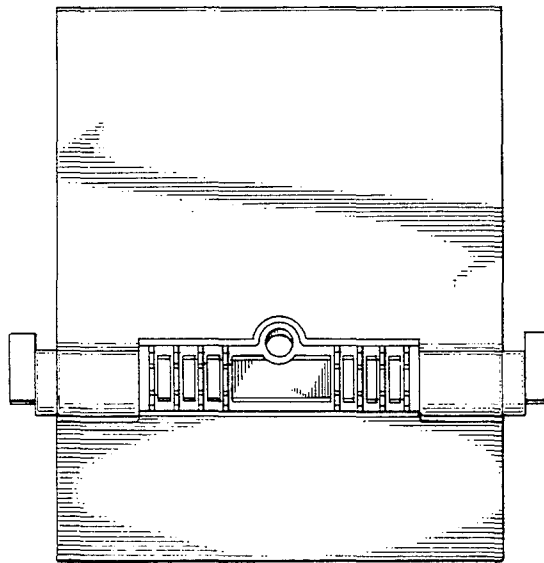
FIG. 6 is a rear elevation view thereof;

FIG. 7 is a bottom plan view thereof.

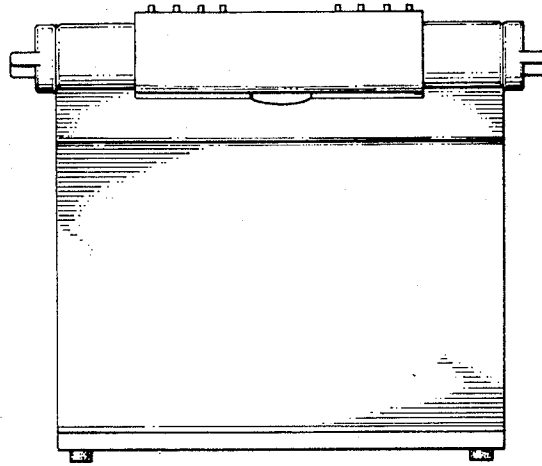




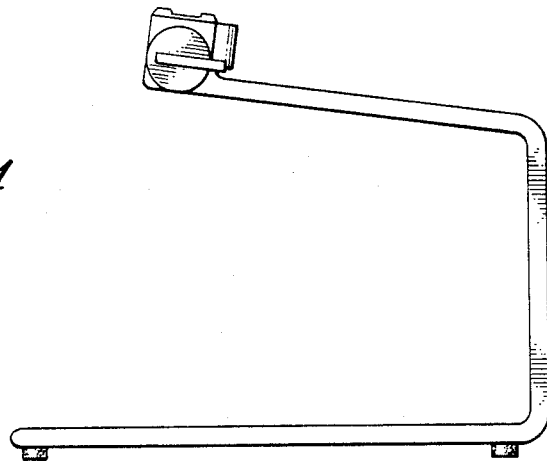
*Fig. 1*



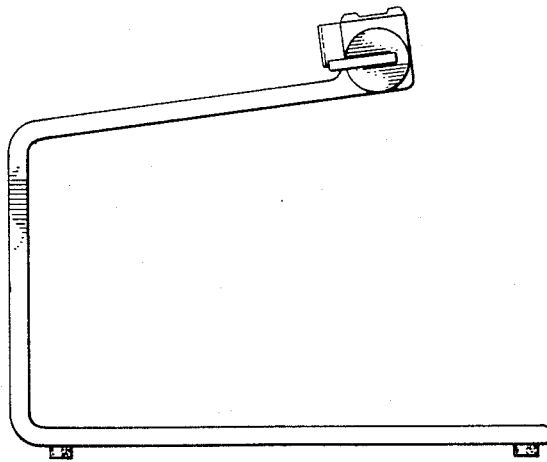
*Fig. 2*



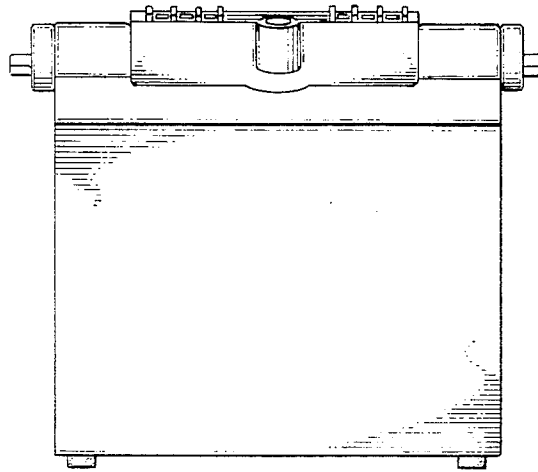
*Fig. 3*



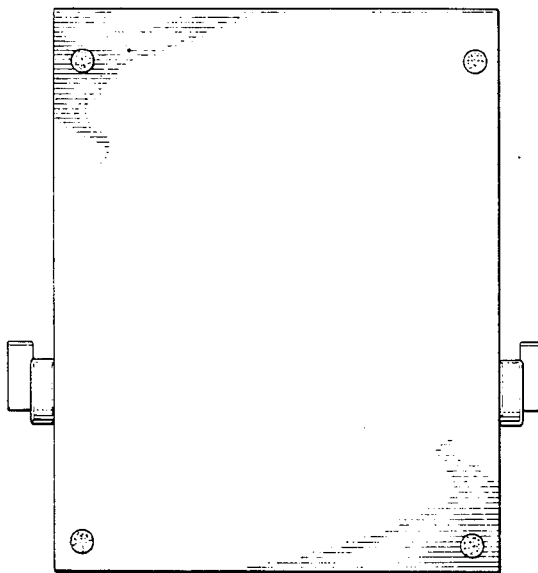
*Fig. 4*



*Fig. 5*



*Fig. 6*



*Fig. 7*