

[54] COMPUTER HOUSING

[75] Inventors: Stephen Peart, Los Gatos; Anthony Guido, Campbell, both of Calif.

[73] Assignee: Apple Computer, Inc., Cupertino, Calif.

[**] Term: 14 Years

[21] Appl. No.: 907,529

[22] Filed: Sep. 12, 1986

[52] U.S. Cl. D14/107

[58] Field of Search D14/100, 102, 105, 107, D14/109, 114, 115; D13/40, 41; 174/50, 52 R; 312/298, 208; 340/700; 364/708; 361/399, 394, 395

[56] References Cited

U.S. PATENT DOCUMENTS

- D. 249,794 10/1978 Howe D14/107
- D. 296,899 7/1988 Chu et al. D14/107 X

FOREIGN PATENT DOCUMENTS

- 613305 12/1960 Italy 174/50

OTHER PUBLICATIONS

BYTE-Apr. 1984, p. 389-Mu Sys Net/work 8816-(computer bottom center), Computer box.
 Computer Design-Sep. 1984, p. 331-Pac Tec (computer upper right corner), Computer Box.
 Computer Merchandising-Jan. 1985, p. 130-(computer in foreground)-Computer Box.
 Computer Merchandising-Jan. 1985, p. 130-(computer in rear)-Computer Box.

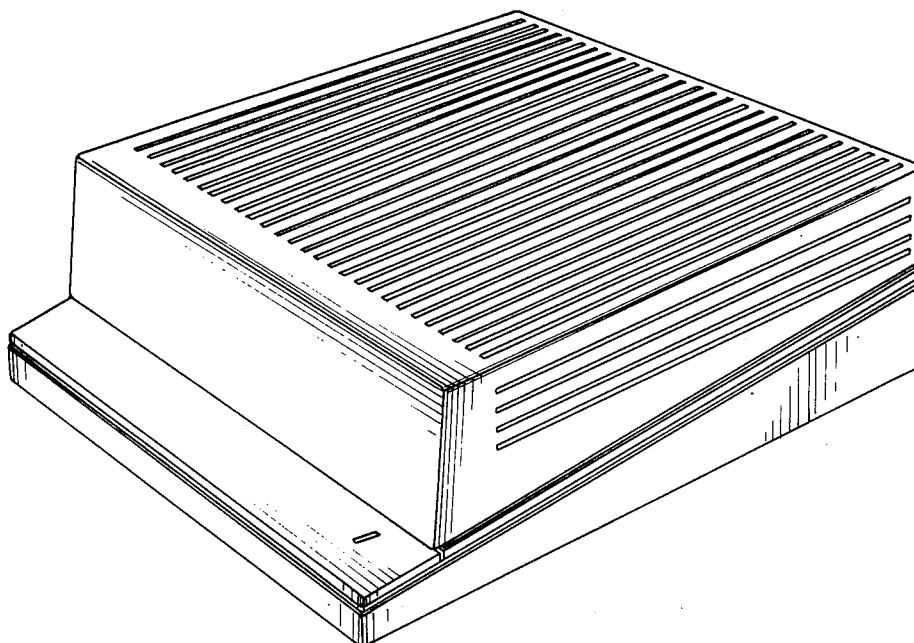
Primary Examiner—Susan J. Lucas
 Assistant Examiner—Freda S. Nunn
 Attorney, Agent, or Firm—Blakely, Sokoloff, Taylor & Zafman

CLAIM

[57] The ornamental design for a computer housing, as shown.

DESCRIPTION

FIG. 1 is a top, front, right side perspective view of the computer housing showing our new design;
 FIG. 2 is a top plan view thereof;
 FIG. 3 is a front, elevational view thereof;
 FIG. 4 is a left side elevational view thereof;
 FIG. 5 is a right side elevational view thereof;
 FIG. 6 is a rear elevational view thereof;
 FIG. 7 is a bottom plan view thereof.



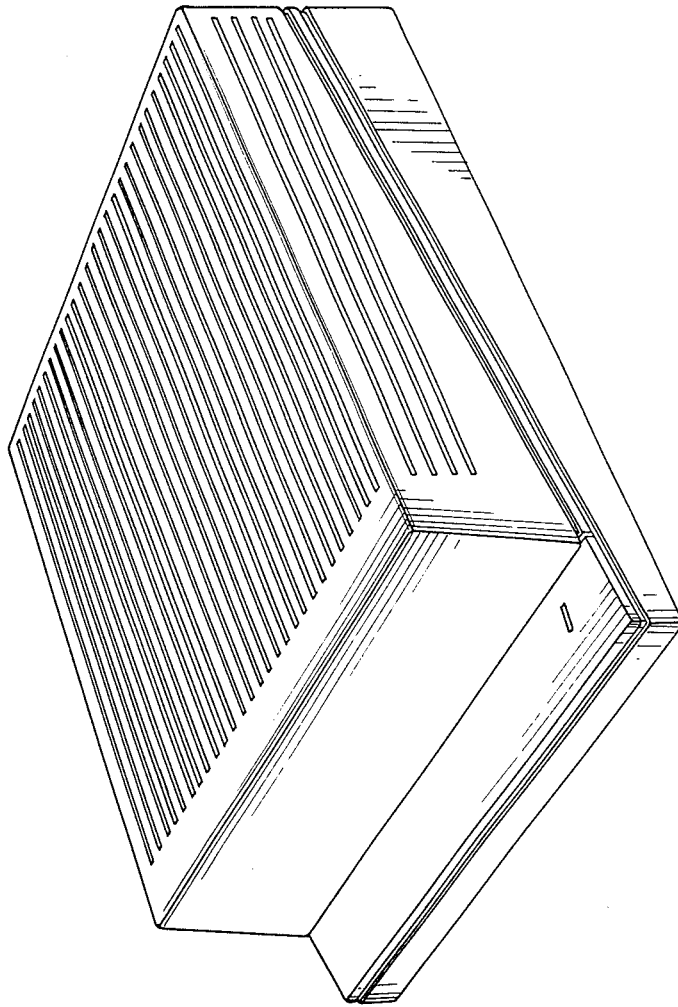


FIG. 1

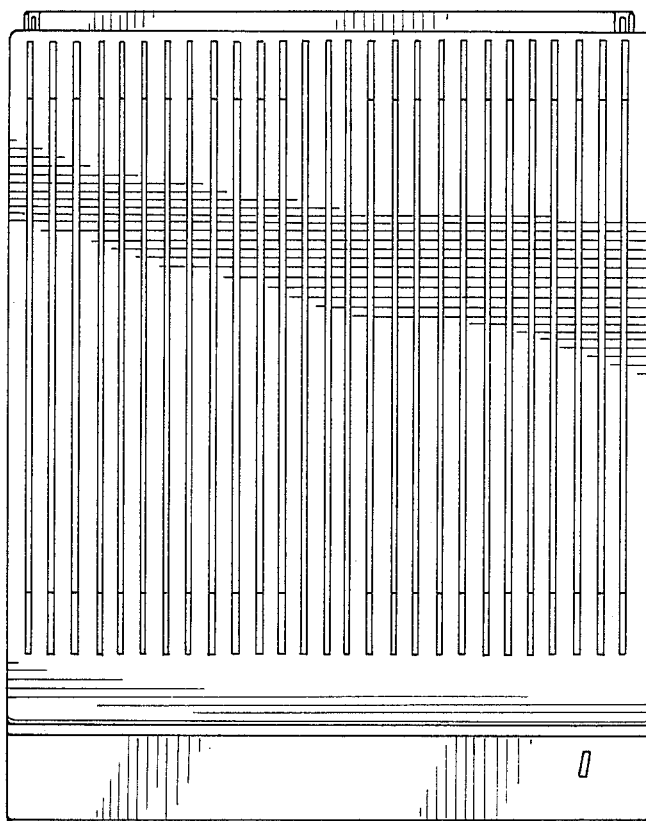


FIG. 2

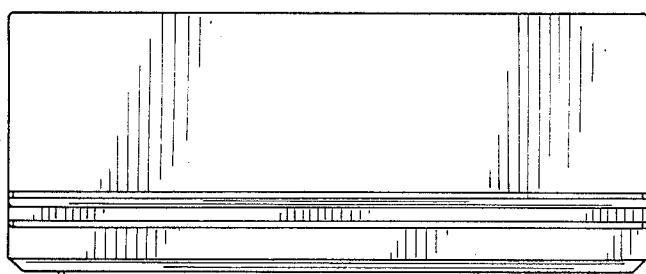


FIG. 3

FIG. 4

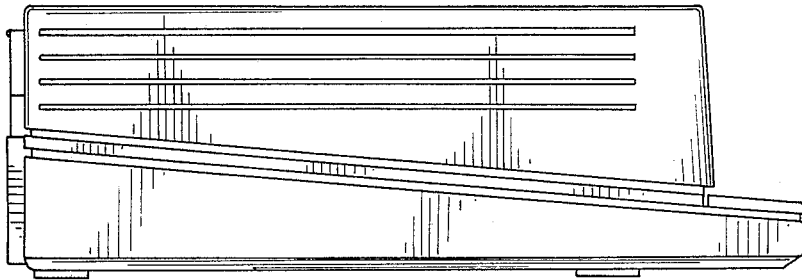


FIG. 5

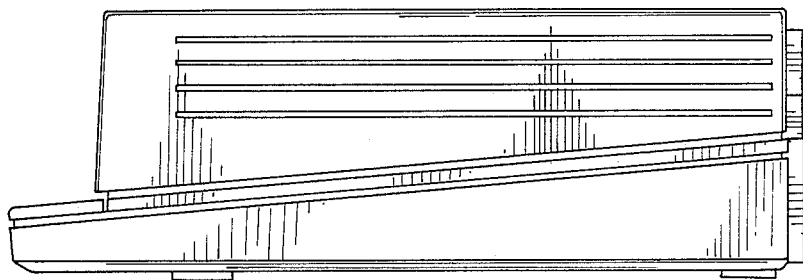


FIG. 6

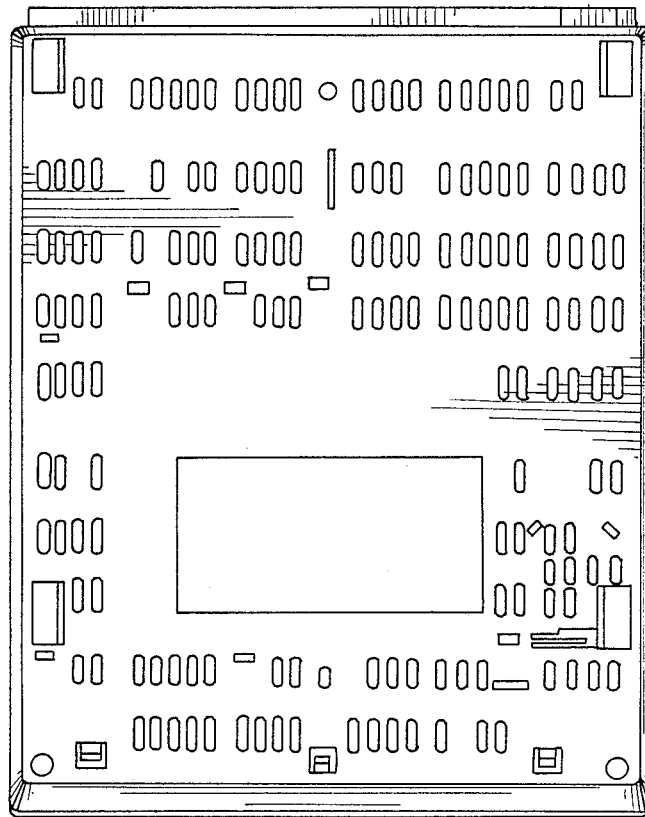
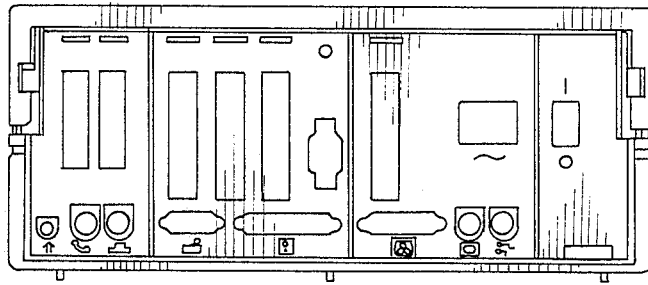


FIG. 7