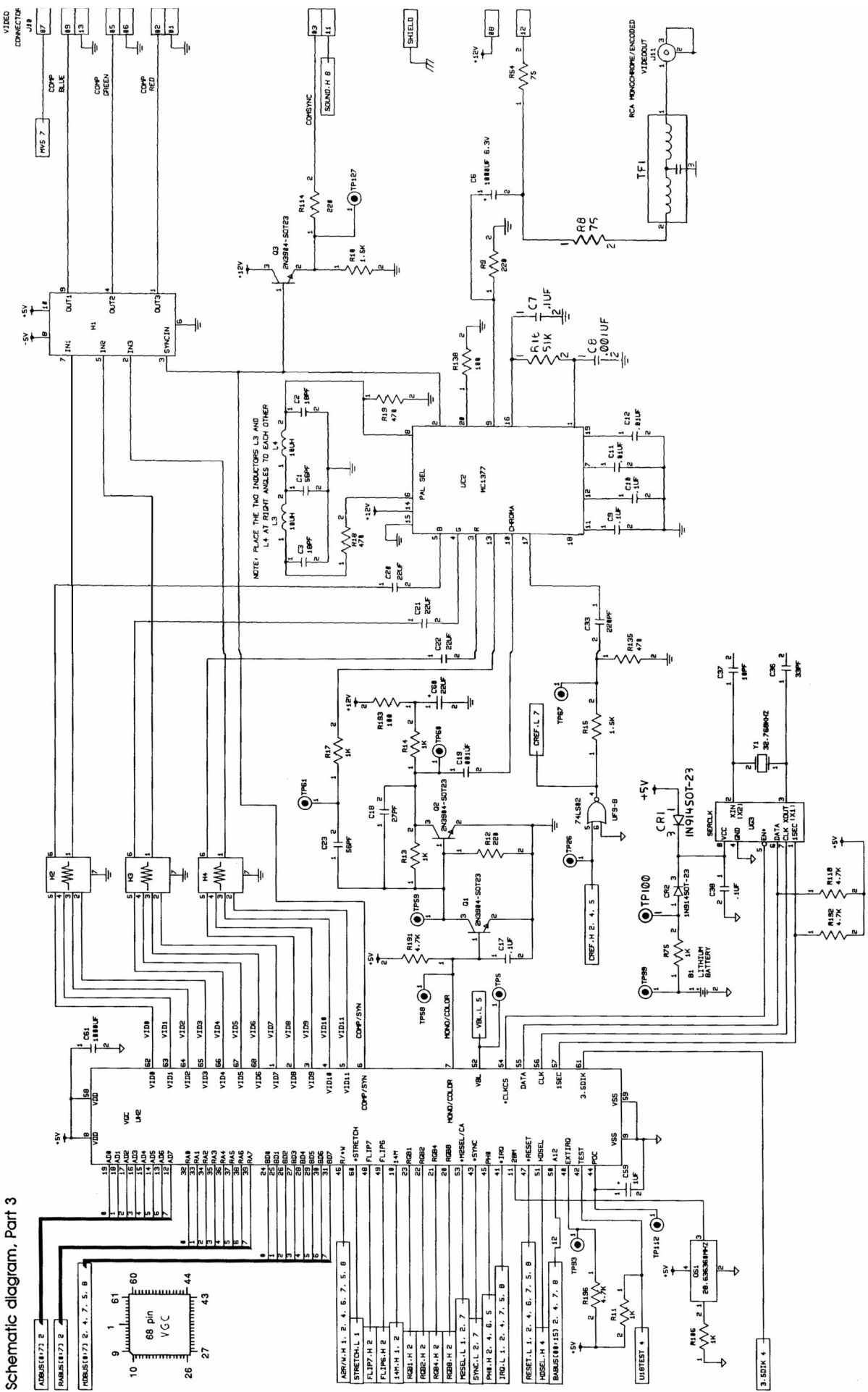
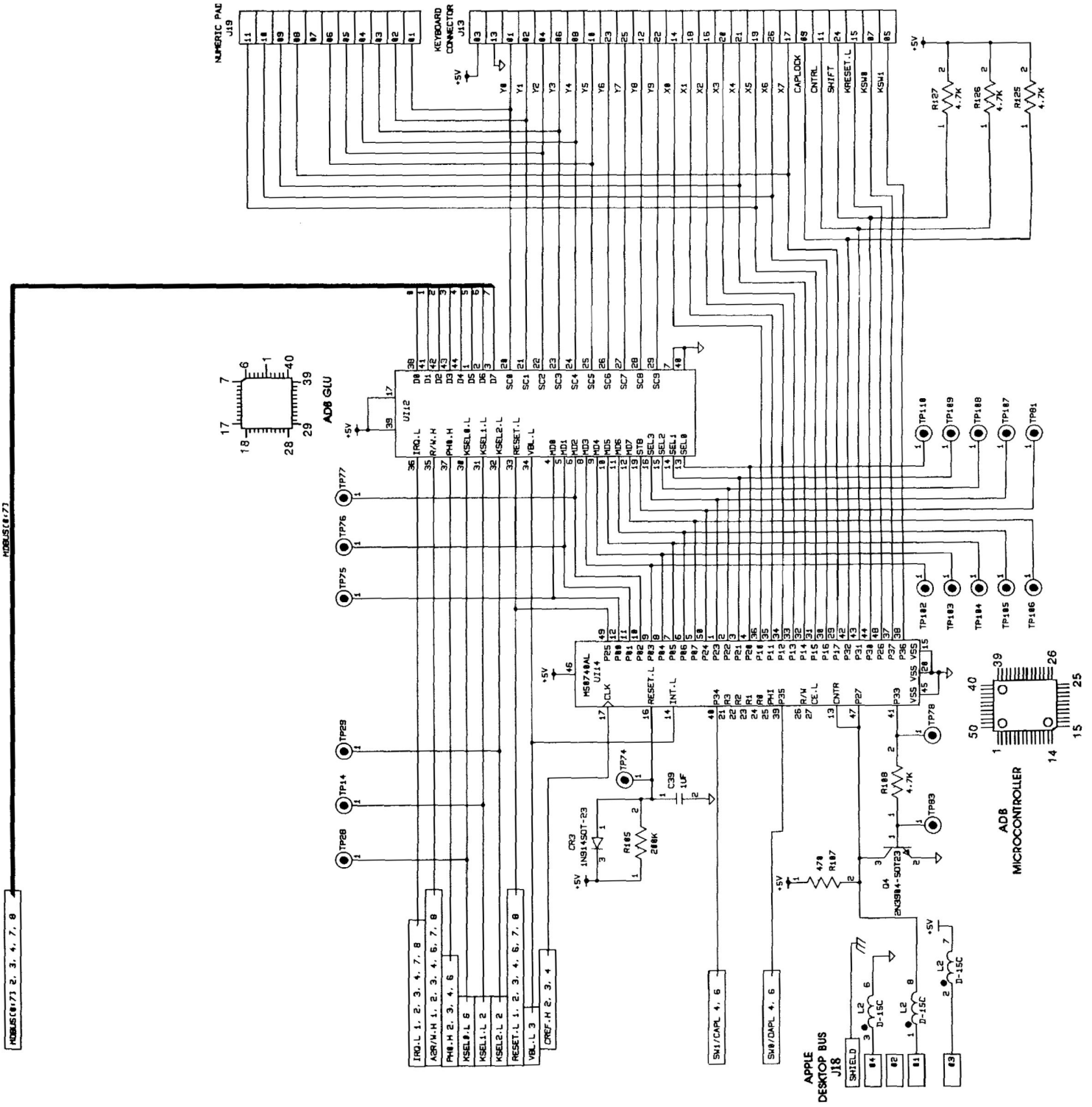


Schematic diagram, Part 3

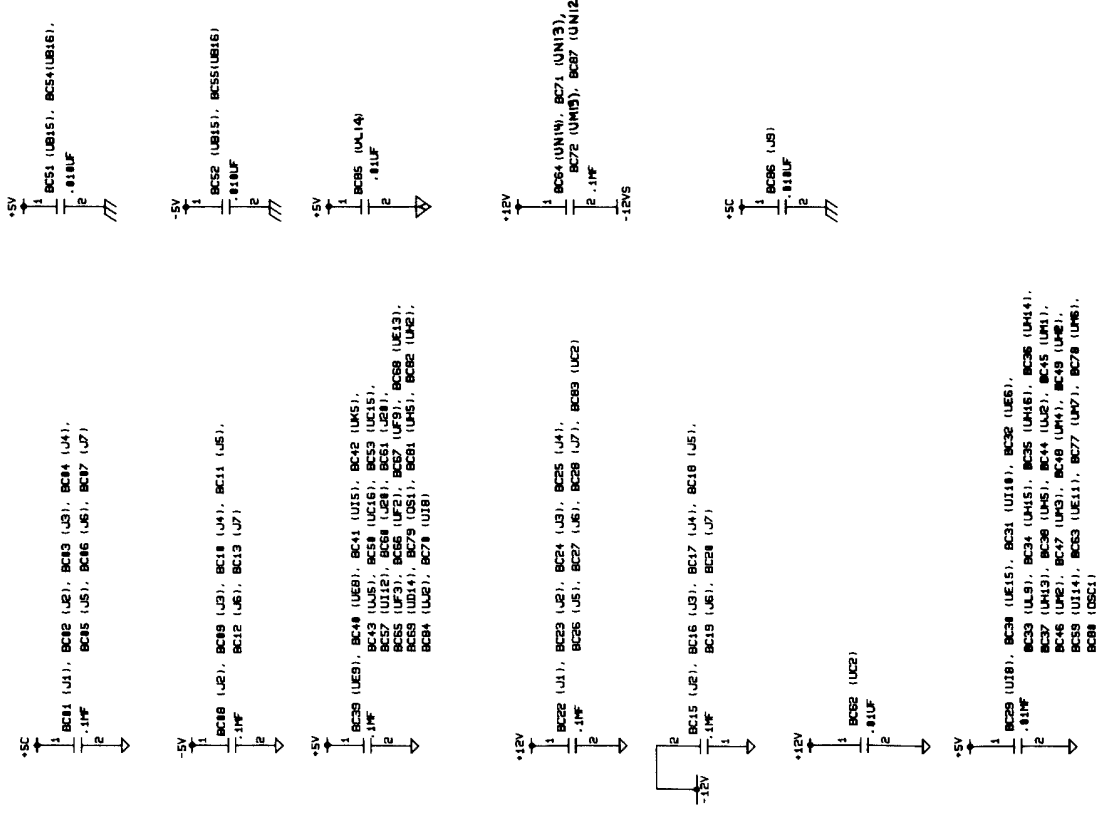


Schematic diagram, Part 5

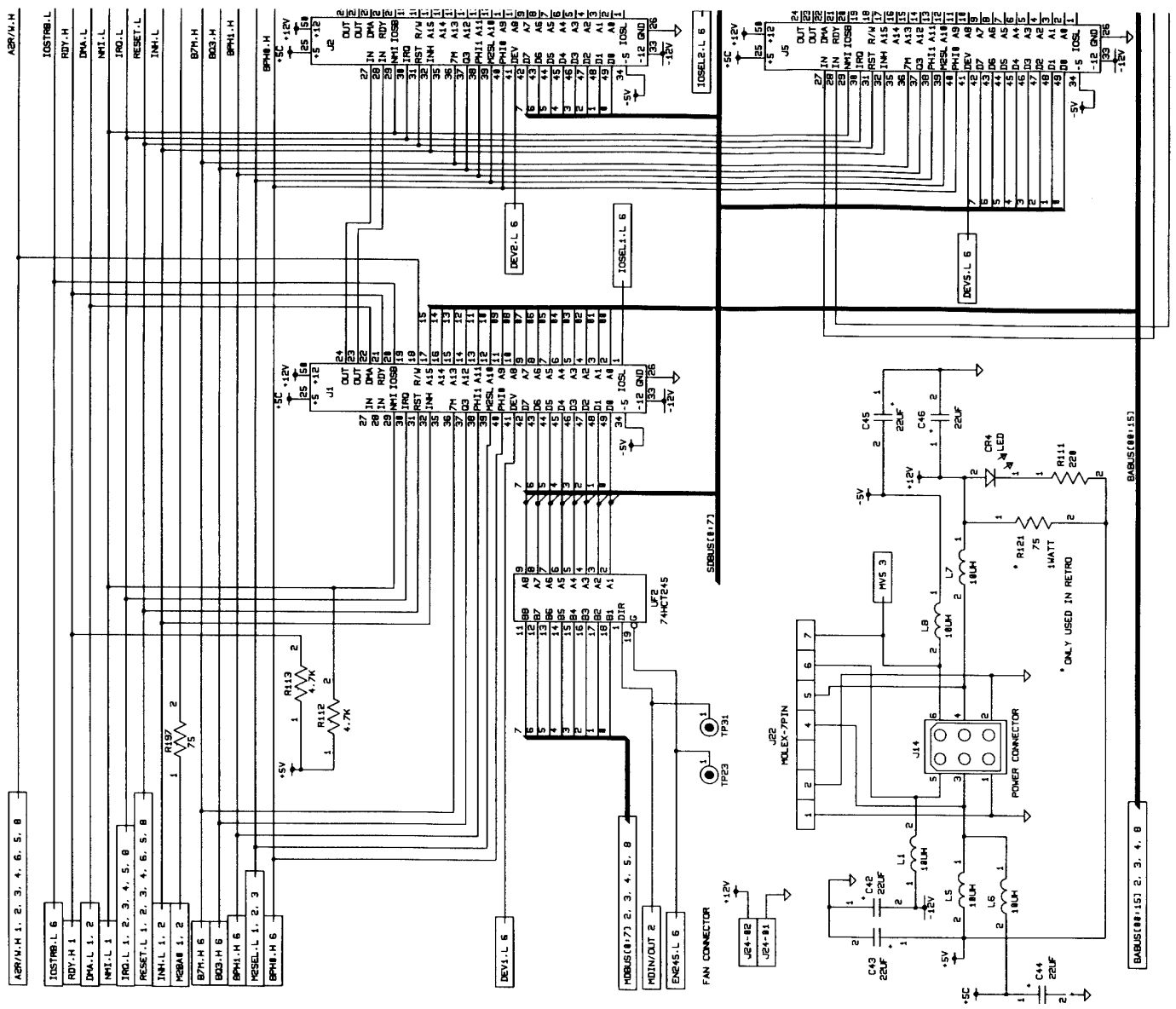
MOBUS (817) 2, 3, 4, 7, 8

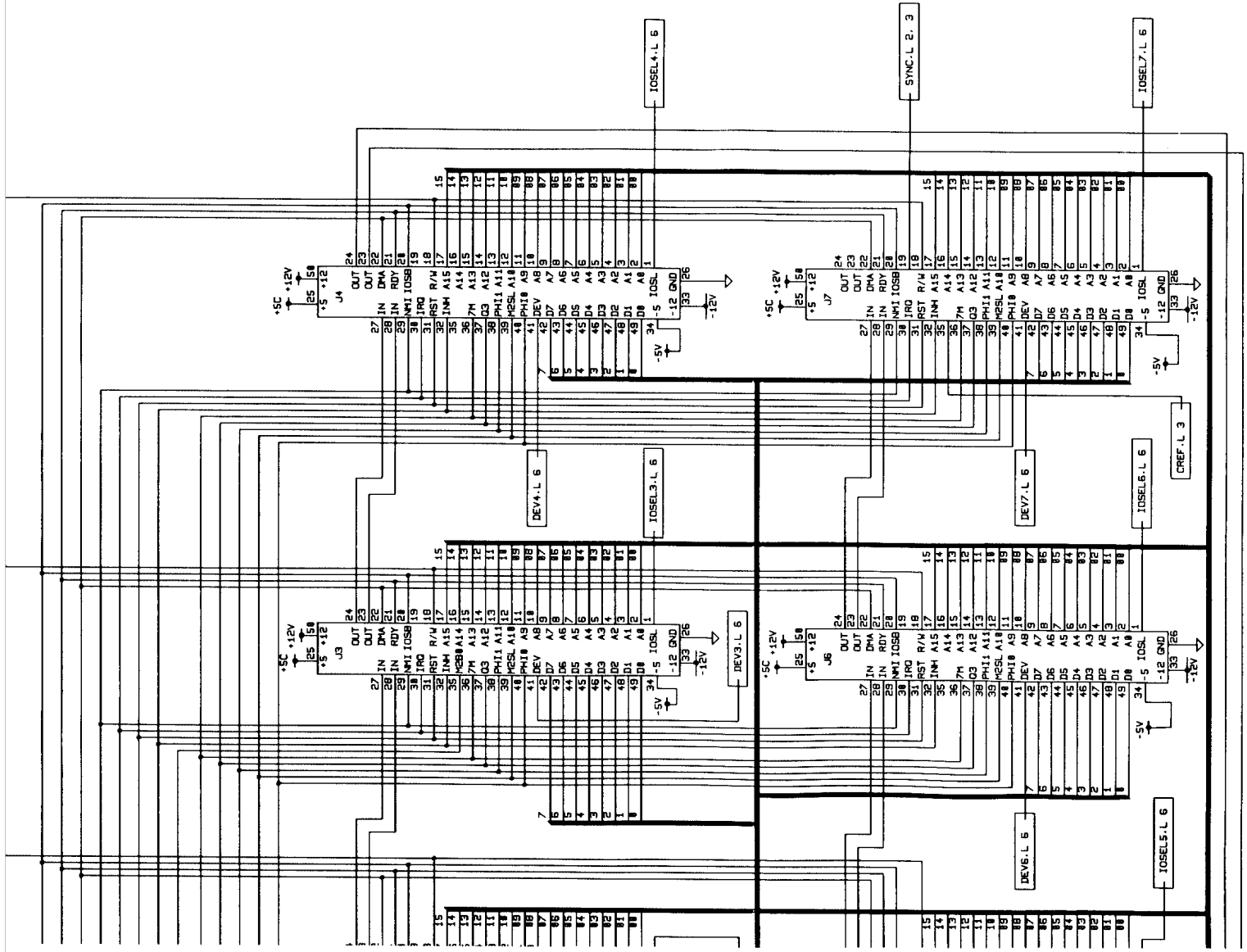


BYPASS CAPACITORS

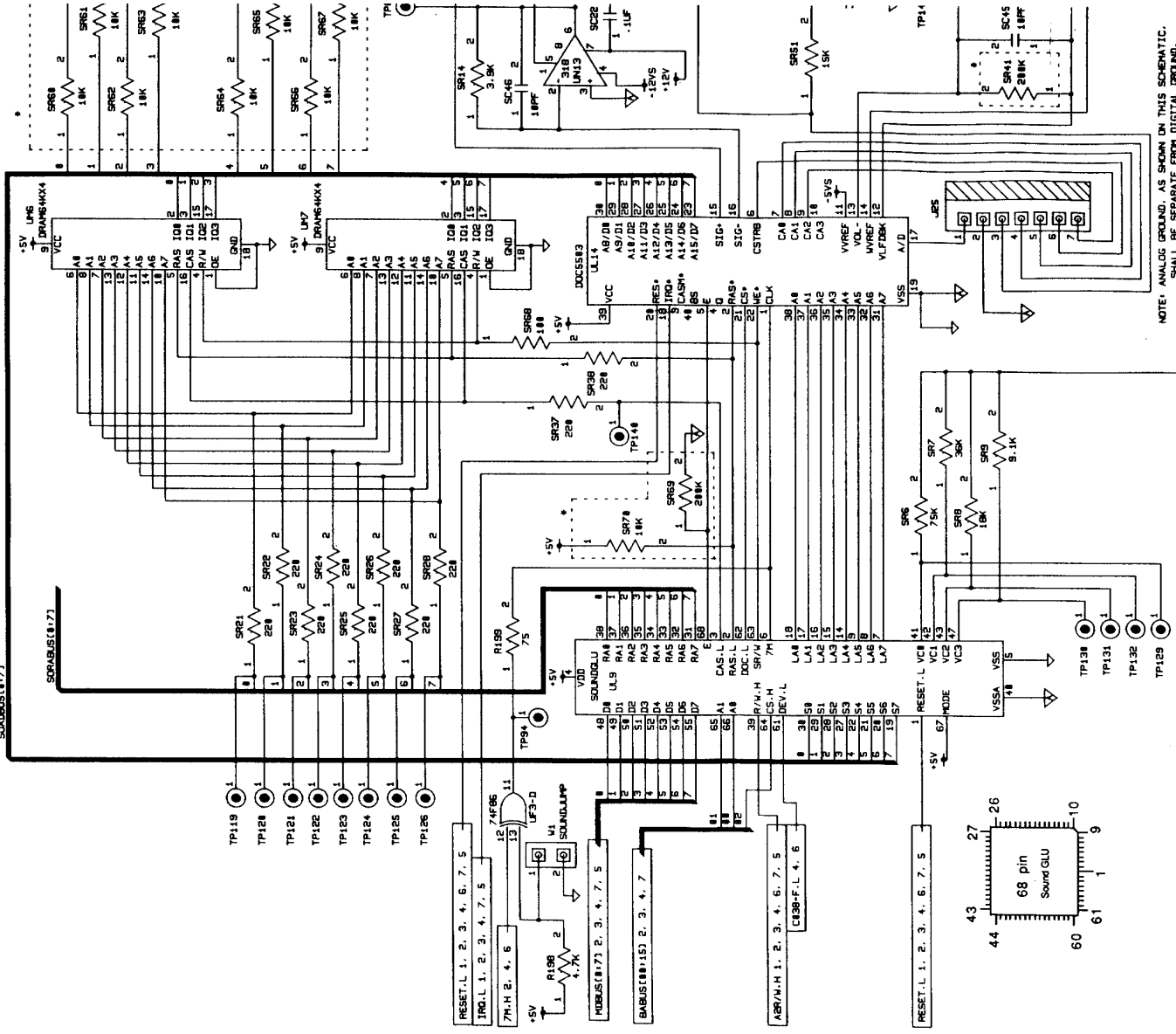


Schematic diagram, Part 7





Schematic diagram, Part 8



NOTE: ANALOG GROUND, AS SHOWN ON THIS SCHEMATIC, SHALL BE SEPARATE FROM DIGITAL GROUND. DIGITAL GROUND WILL TIE INTO THE DCDC-5583 (1) AT ONE POINT ONLY, PIN 19, AND THIS POINT WILL ALSO BE THE ONLY PLACE WHERE ANALOG GROUND TIES TO DIGITAL GROUND.

* THESE RESISTORS ARE NOT NEEDED IF THE DCDC5583 (U14) IS ON THE BOARD.

