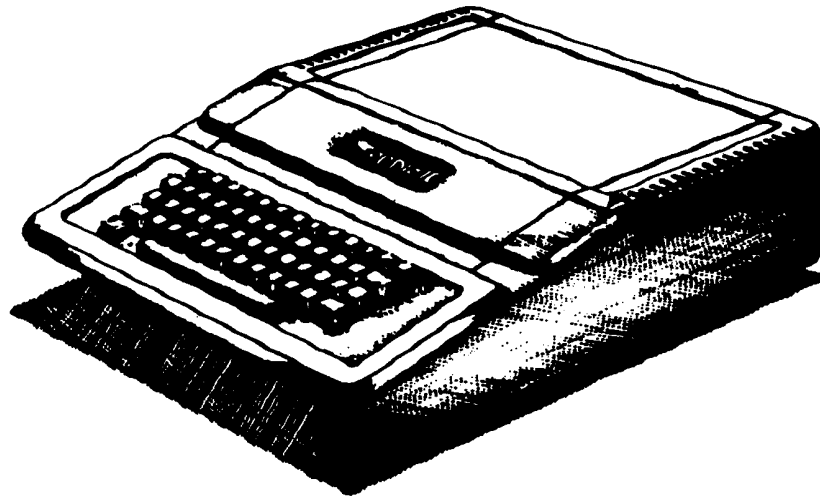




Apple 2 Computer Technical Information



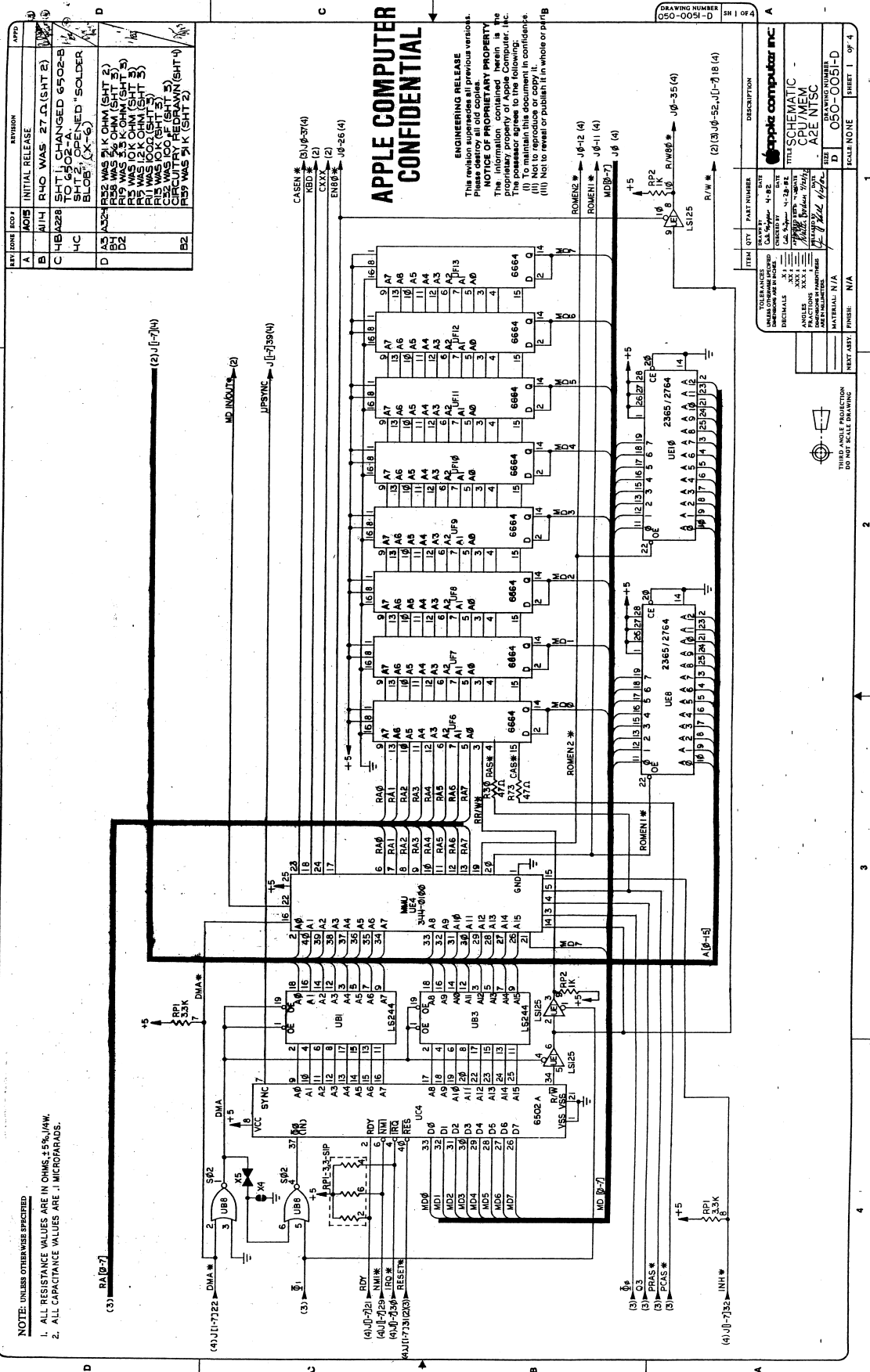
Apple II Computer Family Information

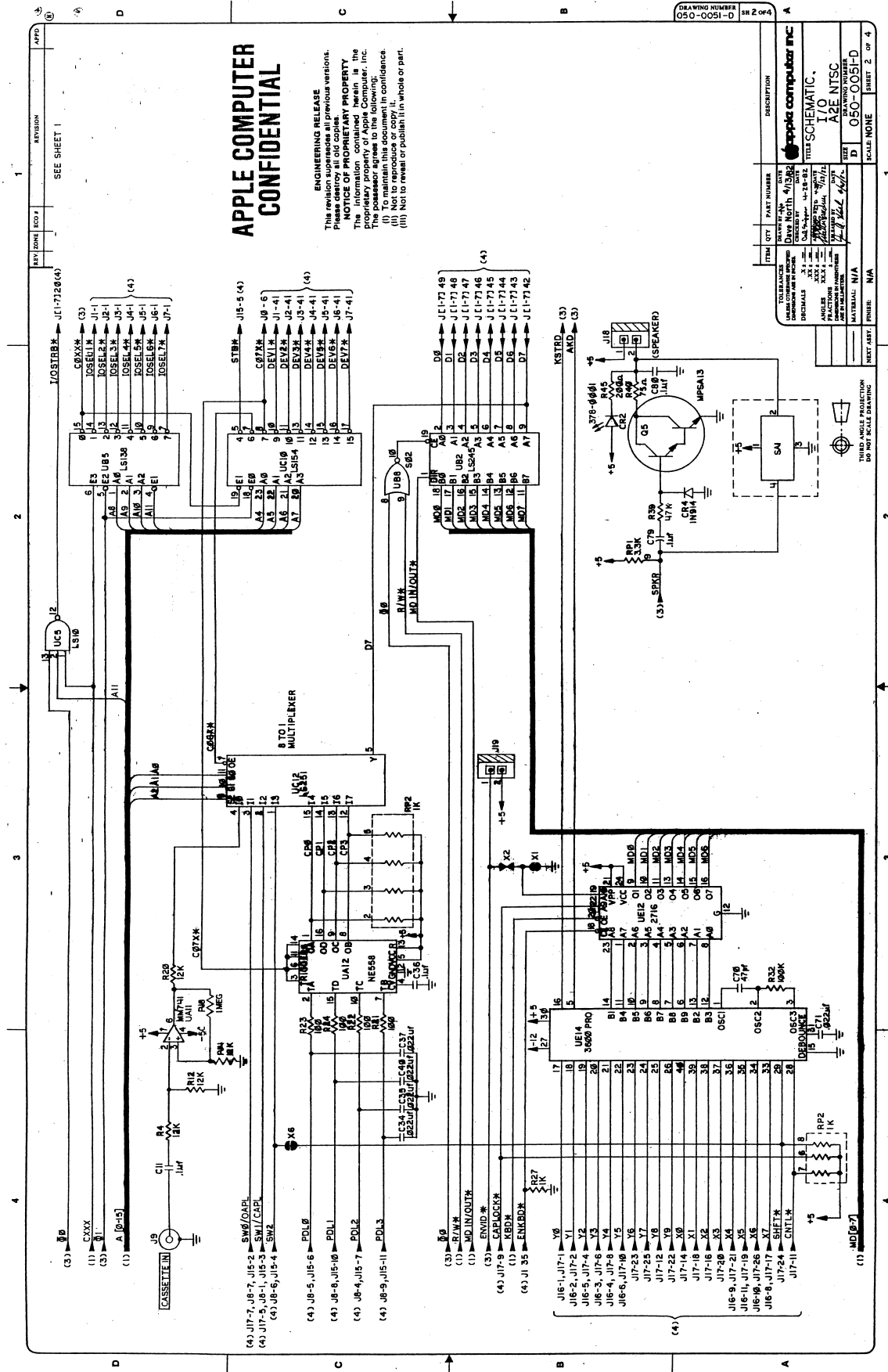
Schematic: Apple 2e Computer (NTSC)
050-0051-D 1/83

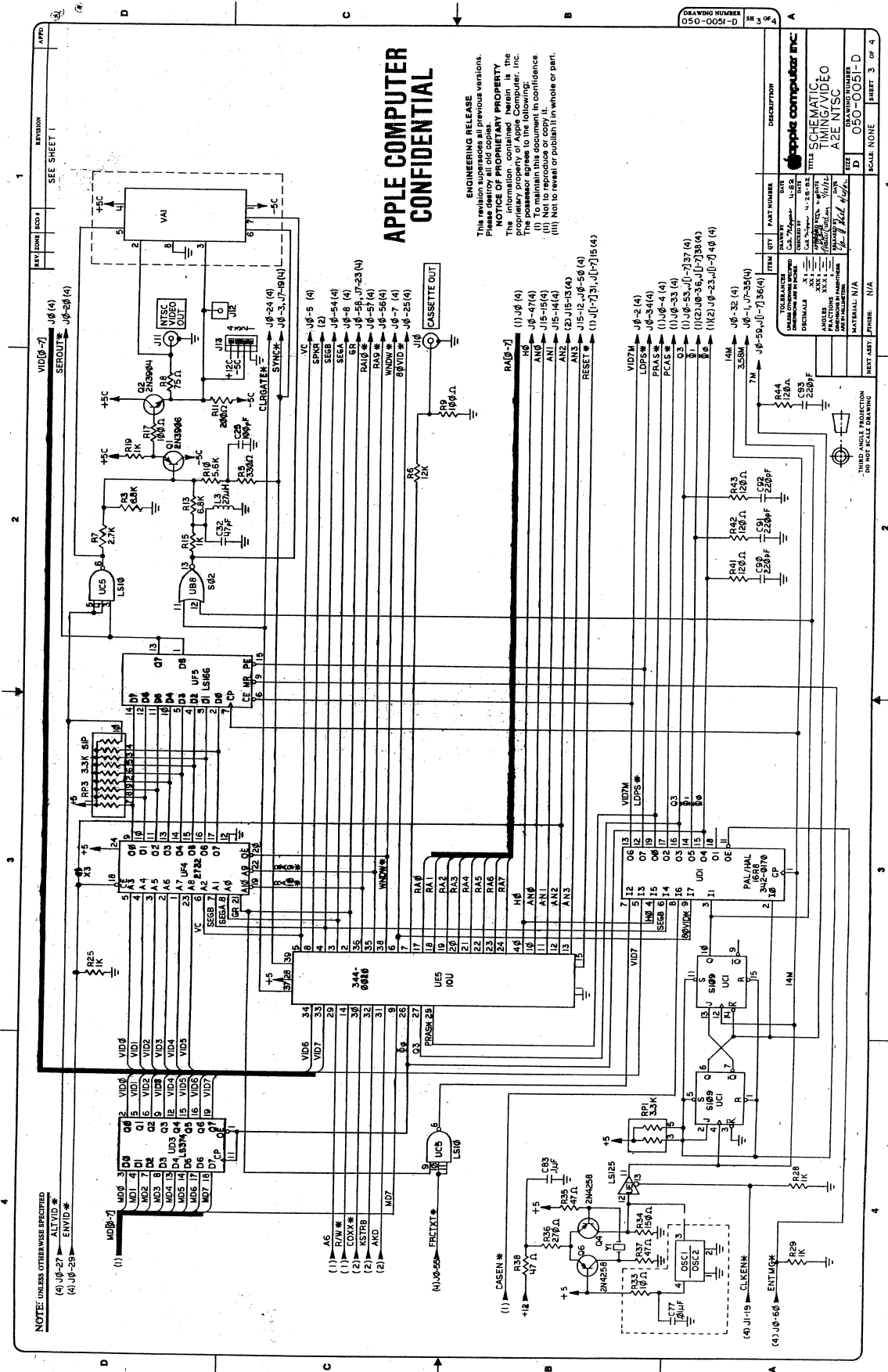
Apple Service Level 2 Technical Reference #204-1011 vol. 2

Document # **532**

Ex Libris David T. Craig







**APPLE COMPUTER
CONFIDENTIAL**

ENGINEERING RELEASE
This revision supersedes all previous versions. Please destroy all old copies. NOTICE: Proprietary information is contained herein. The possessor agrees to the following:
(i) Not to reproduce or copy in confidence.
(ii) Not to reveal or publish in whole or part.

DRAWING NUMBER 050-0051-D SHEET 3 OF 4

REVISION	DATE	DESCRIPTION
1	11-23-82	SCHEMATIC
2	12-15-82	SCHEMATIC
3	12-15-82	SCHEMATIC
4	12-15-82	SCHEMATIC

Apple Computer Inc.
SHEMATIC
TITLE SCHEMATIC
PART NUMBER 050-0051-D
SCALE NONE
SHEET 3 OF 4

NOTE: UNLESS OTHERWISE SPECIFIED
(A) J1-27 ALTVID*
(B) J1-29 ENVID*

(1) CASEN*
(2) CLKEN*

(1) J1-19 CLKEN*
(2) J1-20 ENVID*

