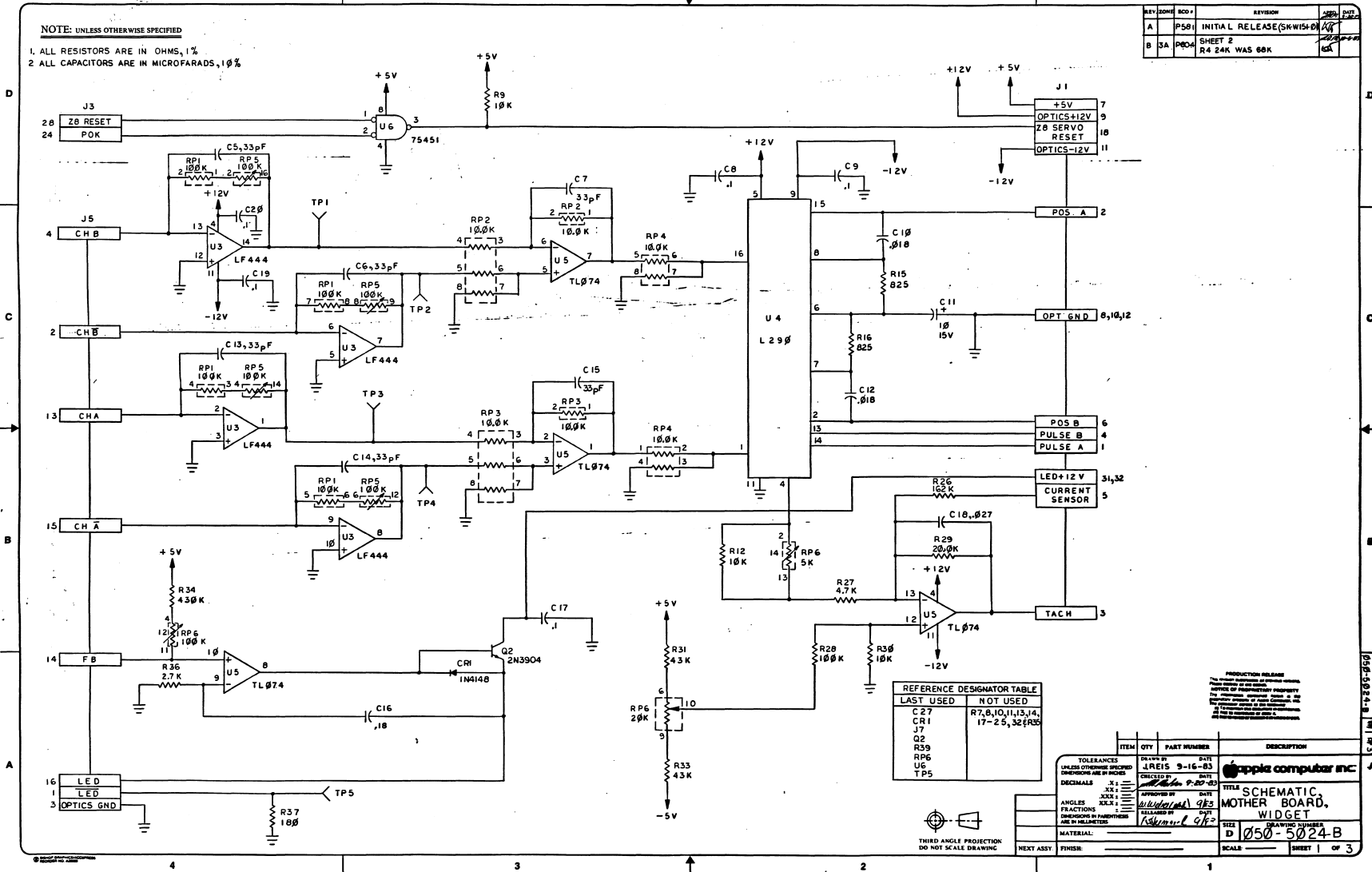


NOTE: UNLESS OTHERWISE SPECIFIED
 1. ALL RESISTORS ARE IN OHMS, 1%
 2. ALL CAPACITORS ARE IN MICROFARADS, 10%

REV	DATE	BY	REVISION	APP'D	INT'D
A	PSB		INITIAL RELEASE (SKW/SH/8)		
B	SA	PCDA	SHEET 2 R4 24K WAS 68K		



REFERENCE DESIGNATOR TABLE	
LAST USED	NOT USED
C 27	R7, 8, 10, 11, 13, 14,
CR 1	17-25, 32 (R35)
J 7	
Q 2	
R 39	
RP 6	
U 6	
TP 5	

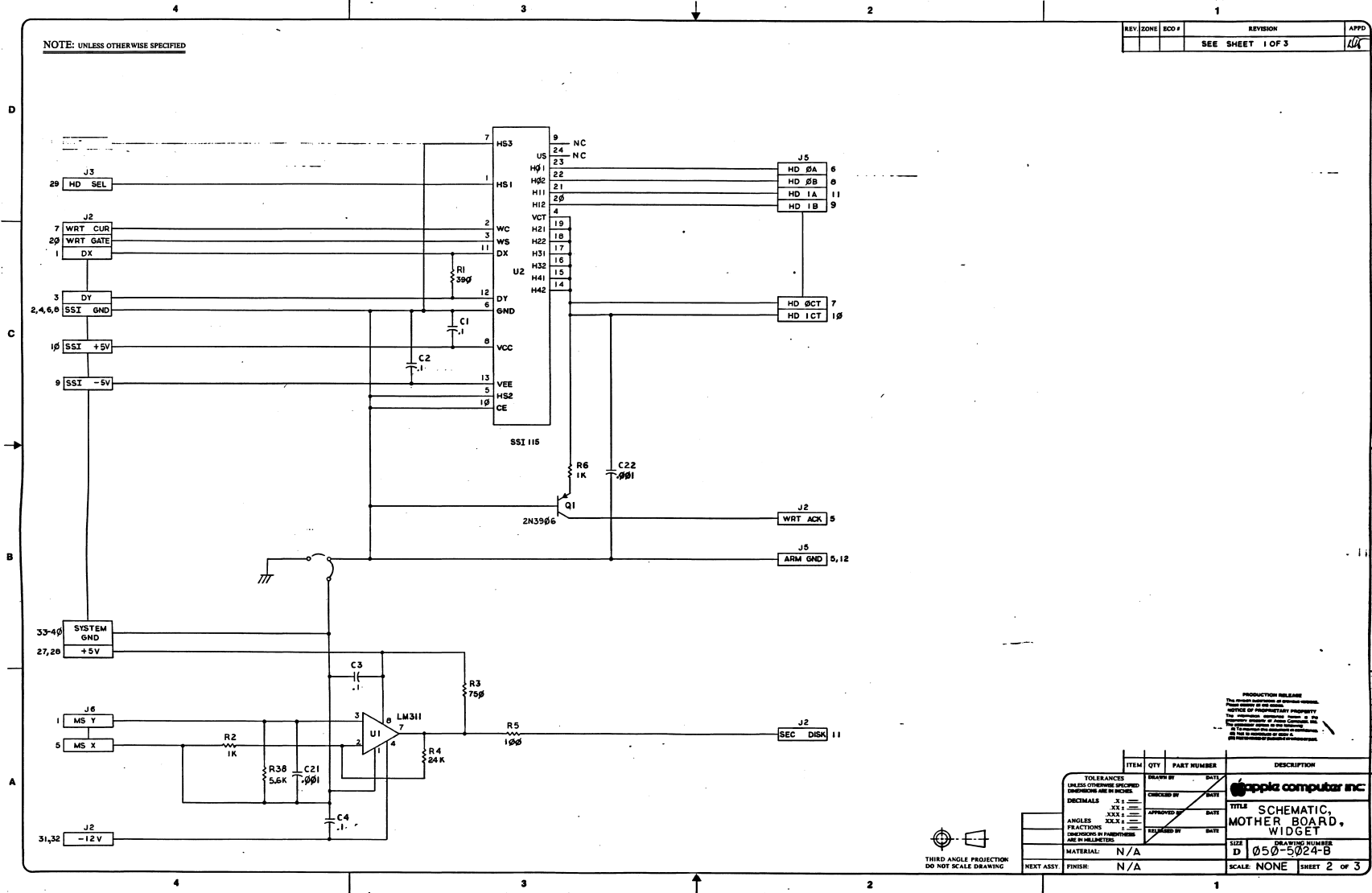
PRODUCTION RELEASE
 This drawing is the property of Apple Computer, Inc. and is to be used only for the production of the hardware described herein. All other uses are prohibited.

ITEM	QTY	PART NUMBER	DESCRIPTION
TOLERANCES UNLESS OTHERWISE SPECIFIED DIMENSIONS ARE IN INCHES			
DRAWN BY: JREIS 9-16-83			
CHECKED BY: [Signature] 9-20-83			
DESIGNS: XX: [Signature]			
APPROVED BY: [Signature] 9/23			
DATE: [Signature]			
RELEASED BY: [Signature]			
DATE: [Signature]			
MATERIAL: [Signature]			
DRAWING NUMBER: 050-5024-B			
SIZE: D			
SCALE: 1/1			
SHEET 1 OF 3			

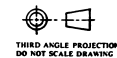
THIRD ANGLE PROJECTION
 DO NOT SCALE DRAWING

NOTE: UNLESS OTHERWISE SPECIFIED

REV	ZONE	ECO #	REVISION	APPD
			SEE SHEET 1 OF 3	LLC



PRODUCTION RELEASE
This design is the property of Apple Computer, Inc. and is not to be distributed outside of Apple Computer, Inc. without the express written permission of Apple Computer, Inc.

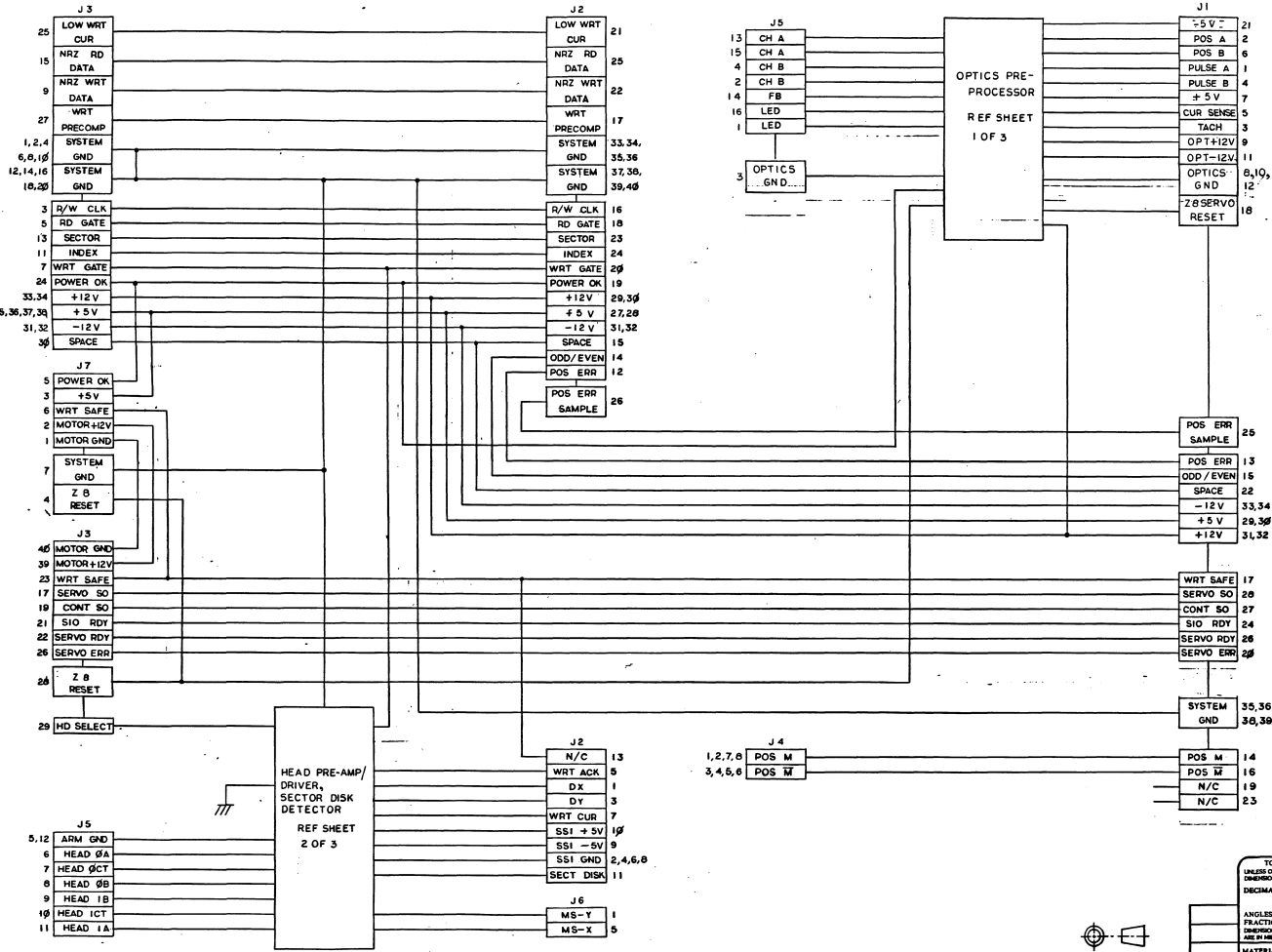


THIRD ANGLE PROJECTION
DO NOT SCALE DRAWING

ITEM	QTY	PART NUMBER	DESCRIPTION																					
<table border="1"> <tr> <td>TOLERANCES UNLESS OTHERWISE SPECIFIED DIMENSIONS ARE IN INCHES</td> <td>DRAWN BY</td> <td>DATE</td> <td rowspan="4"> </td> </tr> <tr> <td>DECIMALS .X ±</td> <td>CHECKED BY</td> <td>DATE</td> </tr> <tr> <td>ANGLES XXX ±</td> <td>APPROVED BY</td> <td>DATE</td> </tr> <tr> <td>FRACTIONS XXX ±</td> <td>DESIGNED BY</td> <td>DATE</td> </tr> <tr> <td colspan="2">MATERIAL: N/A</td> <td colspan="2">DRAWING NUMBER: D 050-5024-B</td> </tr> <tr> <td colspan="2">NEXT ASSY:</td> <td colspan="2">SCALE: NONE SHEET 2 OF 3</td> </tr> </table>				TOLERANCES UNLESS OTHERWISE SPECIFIED DIMENSIONS ARE IN INCHES	DRAWN BY	DATE		DECIMALS .X ±	CHECKED BY	DATE	ANGLES XXX ±	APPROVED BY	DATE	FRACTIONS XXX ±	DESIGNED BY	DATE	MATERIAL: N/A		DRAWING NUMBER: D 050-5024-B		NEXT ASSY:		SCALE: NONE SHEET 2 OF 3	
TOLERANCES UNLESS OTHERWISE SPECIFIED DIMENSIONS ARE IN INCHES	DRAWN BY	DATE																						
DECIMALS .X ±	CHECKED BY	DATE																						
ANGLES XXX ±	APPROVED BY	DATE																						
FRACTIONS XXX ±	DESIGNED BY	DATE																						
MATERIAL: N/A		DRAWING NUMBER: D 050-5024-B																						
NEXT ASSY:		SCALE: NONE SHEET 2 OF 3																						

NOTE: UNLESS OTHERWISE SPECIFIED

REV.	ZONE	ECO #	REVISION	APP'D
			SEE SHT 1 OF 3	AJC



PRODUCTION RELEASE
 This release is for production use only.
 The information contained herein is the property of Apple Computer, Inc.
 and is not to be distributed outside the Apple Computer, Inc. organization.

ITEM	QTY	PART NUMBER	DESCRIPTION

Apple Computer, Inc.

TOLERANCES
 UNLESS OTHERWISE SPECIFIED
 DIMENSIONS ARE IN INCHES

ANGLES
 FRACTIONS
 DIMENSIONS BY PARALLELS
 ARE IN MILLIMETERS

MATERIAL: N/A
FINISH: N/A

TITLE: SCHEMATIC,
 MOTHER BOARD,
 WIDGET

SIZE: D
DRAWING NUMBER:
 050-5024-B

SCALE: NONE
SHEET: 3 OF 3

THIRD ANGLE PROJECTION
 DO NOT SCALE DRAWING