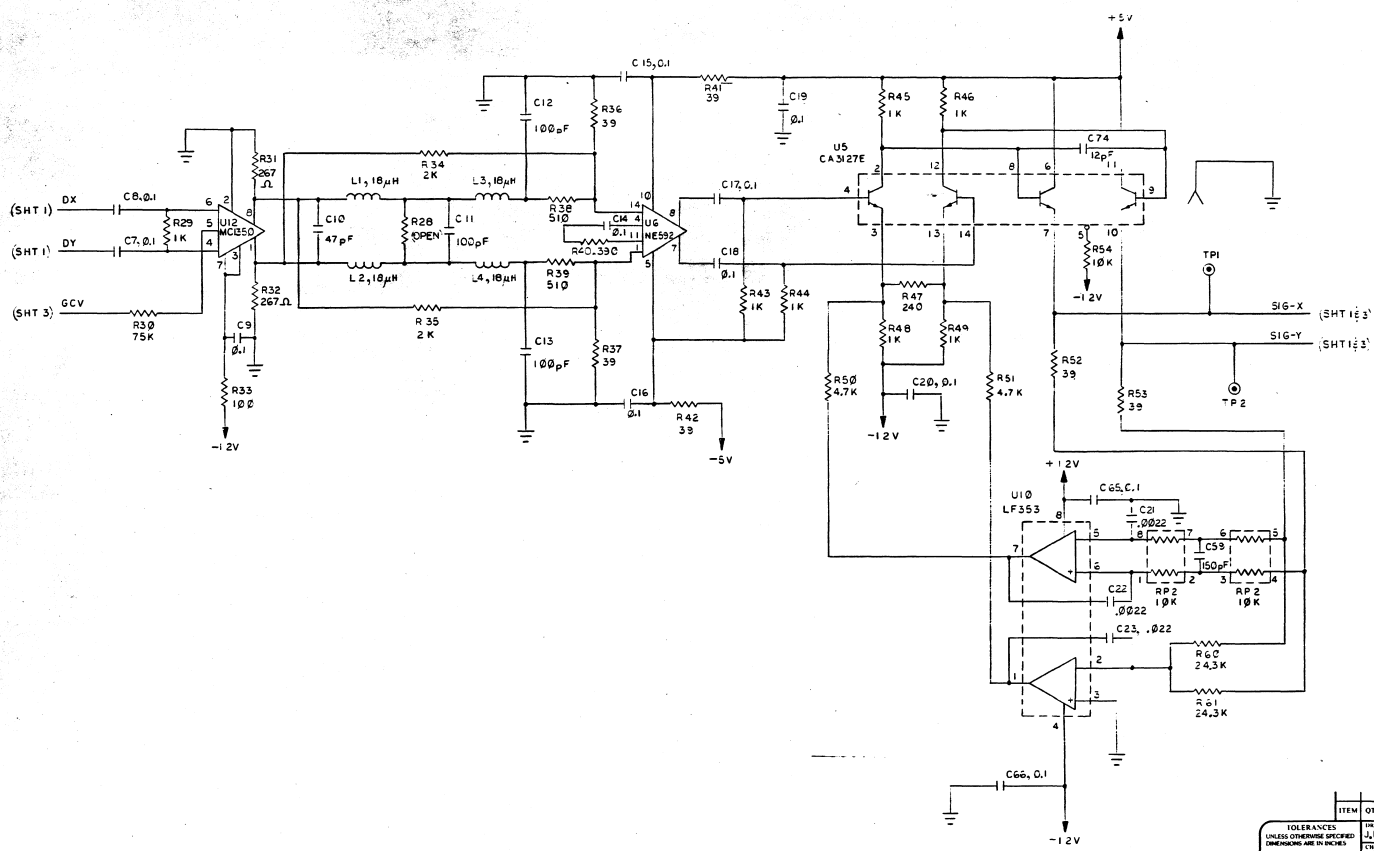


NOTE: UNLESS OTHERWISE SPECIFIED

REV.	DATE	BY	APP.	DATE

SEE SHEET 1



THIRD ANGLE PROJECTION
DO NOT SCALE DRAWING

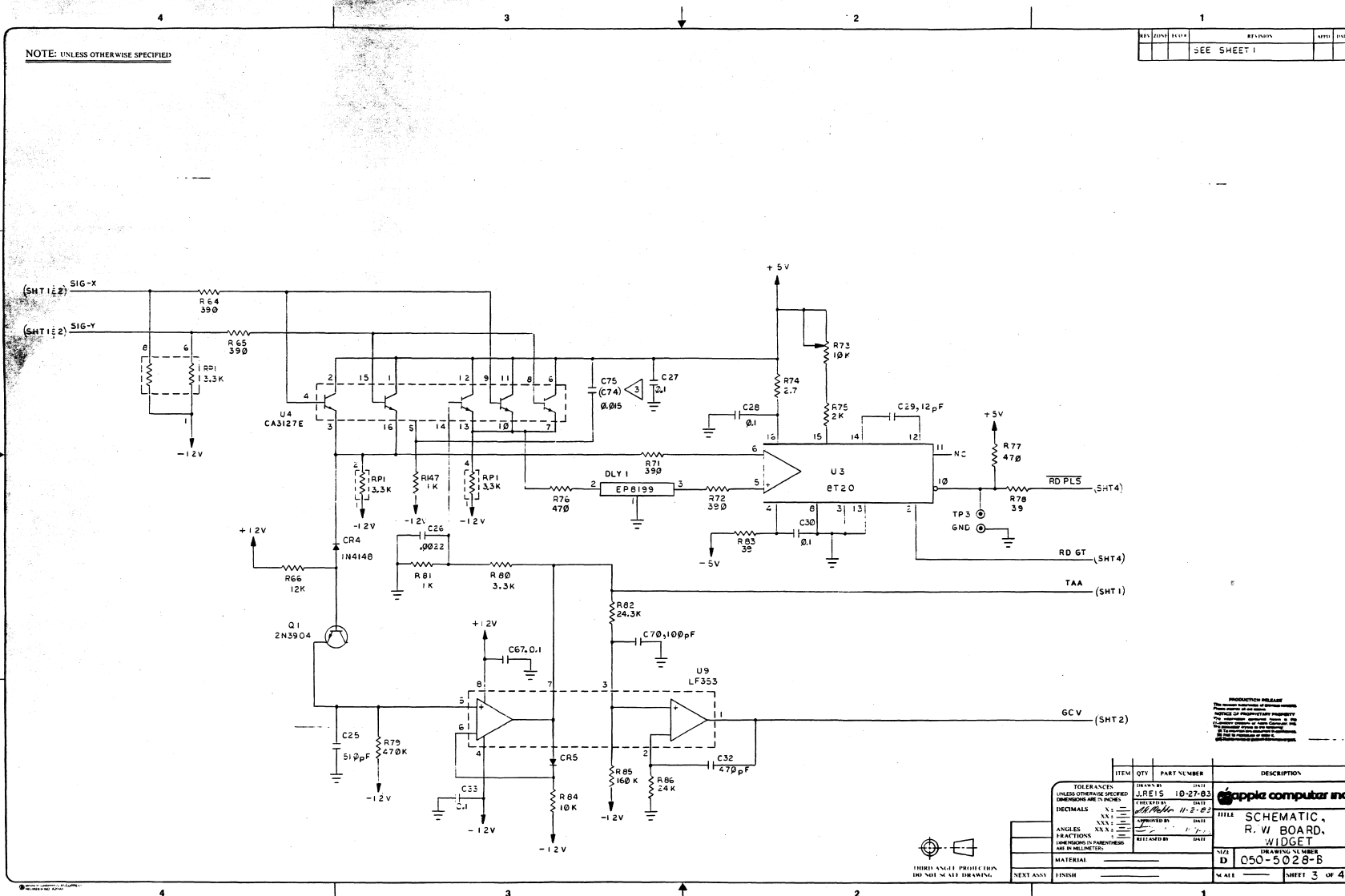
PRODUCTION RELEASE
This drawing is released for use by Apple Computer, Inc. and its subsidiaries for the purpose of manufacturing and repairing Apple Computer products. It is not to be used for any other purpose without the written permission of Apple Computer, Inc.

ITEM	QTY	PART NUMBER	DESCRIPTION
<p>TOLERANCES UNLESS OTHERWISE SPECIFIED: DIMENSIONS ARE IN INCHES</p> <p>DECIMALS XX.XX</p> <p>FRACTIONS XX.X/100</p> <p>ANGLES XX.X°</p> <p>DRAWING IS IN MILLIMETERS UNLESS OTHERWISE SPECIFIED</p>			
DRAWN BY		J. REIS	10-26-83
CHECKED BY			
APPROVED BY			
DATE			
MATERIAL			
FINISH			
DRAWING NUMBER			D 050-5028-B
SCALE			SHEET 2 OF 4

050-5028-B
 SHEET 2 OF 4

NOTE: UNLESS OTHERWISE SPECIFIED

REV	DATE	BY	CHKD	APP'D



PRODUCTION RELEASE
 This document contains technical information which is the property of Apple Computer, Inc. and is to be used only for the specific purpose intended. It is to be controlled, stored, and disposed of in accordance with Apple Computer, Inc. policies.

THIRD ANGLE PROJECTION
 DO NOT SCALE DRAWING

ITEM	QTY	PART NUMBER	DESCRIPTION

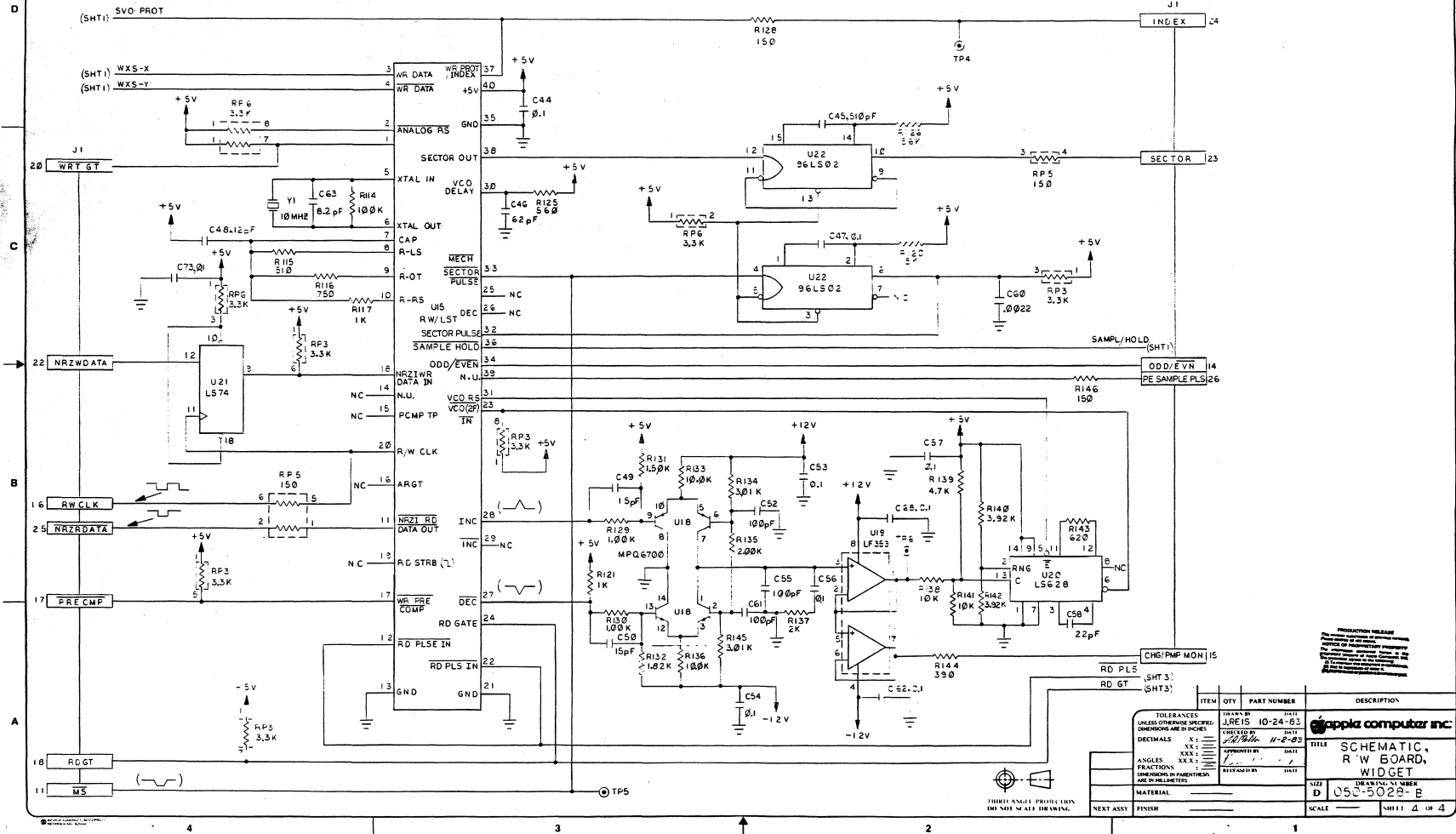
TOLERANCES UNLESS OTHERWISE SPECIFIED	DRAWN BY	DATE
DIMENSIONS ARE IN INCHES	J.P.E. 15	10-27-83
DECIMALS X .1	CHECKED BY	DATE
ANGLES XXX .1	W.H. 11-2-83	
FRACTIONS XXX .1	DESIGNED BY	DATE
LENGTHS IN PARENTHESES ARE IN MILLIMETERS	REVIEWED BY	DATE
MATERIAL		
FINISH		

apple computer inc.	
TITLE SCHEMATIC, R/W BOARD, WIDGET	
SIZE D	DRAWING NUMBER 050-5028-B
MATERIAL	SHEET 3 of 4

102057099
 IN CHARGE

NOTE: UNLESS OTHERWISE SPECIFIED

REV	ZONE	ECO	+	REVISION	APP'D	DATE
				SEE SHEET 1		



PRODUCTION RELEASE
This document contains technical information which is the property of Apple Computer, Inc. and is to be used only for the purposes specified in the release agreement. It is not to be distributed, copied, or reproduced in any form without the prior written permission of Apple Computer, Inc.

TOLERANCES UNLESS OTHERWISE SPECIFIED: DIMENSIONS ARE IN INCHES	DATE: 10-24-83	
DECIMALS: X 1	DATE: 11-2-83	
ANGLES: XXX 1	DATE: 11-2-83	apple computer inc. TITLE: SCHEMATIC, RW BOARD, WIDGET SIZE: D DRAWING NUMBER: 050-5022-B SCALE: SHEET 4 of 4

THREE ANGLE PROJECTION
DO NOT SCALE DRAWING

050-5022-050
REVISIONS