

[54] **VIDEO DISPLAY FOR COMPUTER**

[75] **Inventor: Stephen Peart, Los Gatos, Calif.**

[73] **Assignee: Apple Computer, Inc., Cupertino, Calif.**

[**] **Term: 14 Years**

[21] **Appl. No.: 26,560**

[22] **Filed: Mar. 17, 1987**

[52] **U.S. Cl. D14/113**

[58] **Field of Search D14/100, 106, 107, 105, D14/102, 113, 114, 115; 340/700, 706, 711, 712; 341/22, 23; 358/248, 249, 254; 312/7.2, 208; 248/122, 125, 127, 133, 149, 161, 178, 183, 179, 346, 349, 371**

[56] **References Cited**

U.S. PATENT DOCUMENTS

D. 259,343 5/1981 Chamberlain et al. D14/113

D. 284,008 5/1986 Esslinger et al. D14/113
D. 295,863 5/1988 Sacherman D14/113

Primary Examiner—Susan J. Lucas
Assistant Examiner—Freda S. Nunn
Attorney, Agent, or Firm—Blakely, Sokoloff, Taylor & Zafman

[57] **CLAIM**

The ornamental design for a video display for computer, as shown.

DESCRIPTION

FIG. 1 is a top, front, left side perspective view of the video display for computer showing my new design; FIG. 2 is a top plan view thereof; FIG. 3 is a front elevational view thereof; FIG. 4 is a right side elevational view thereof; FIG. 5 is a left side elevational view thereof; FIG. 6 is a back elevational view thereof; FIG. 7 is a bottom plan view thereof.

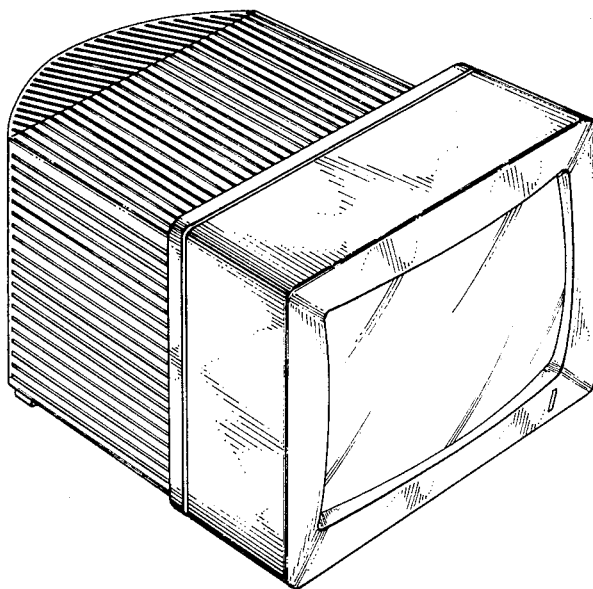


Fig. 1

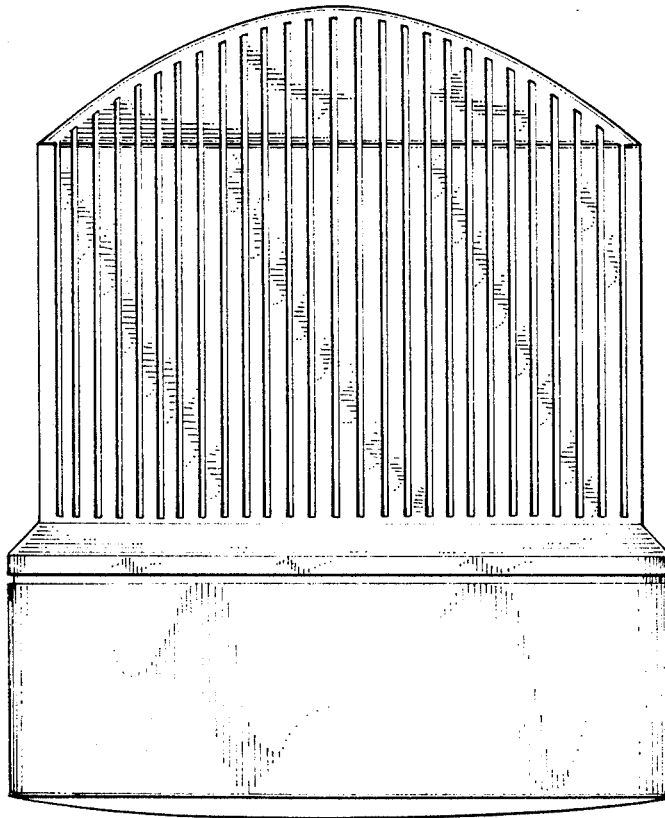
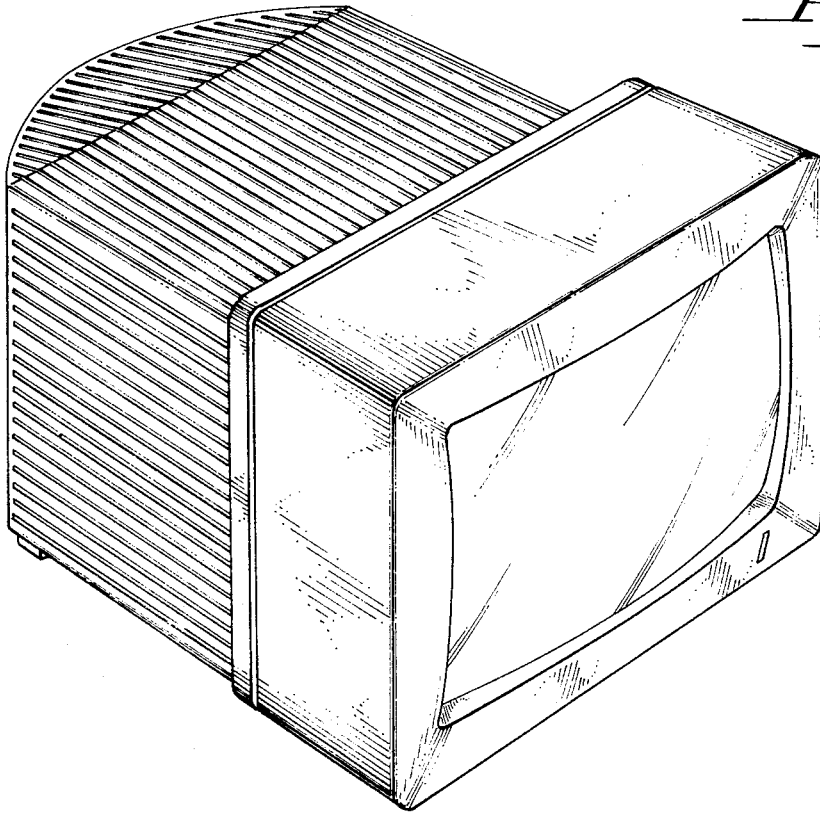


Fig. 2

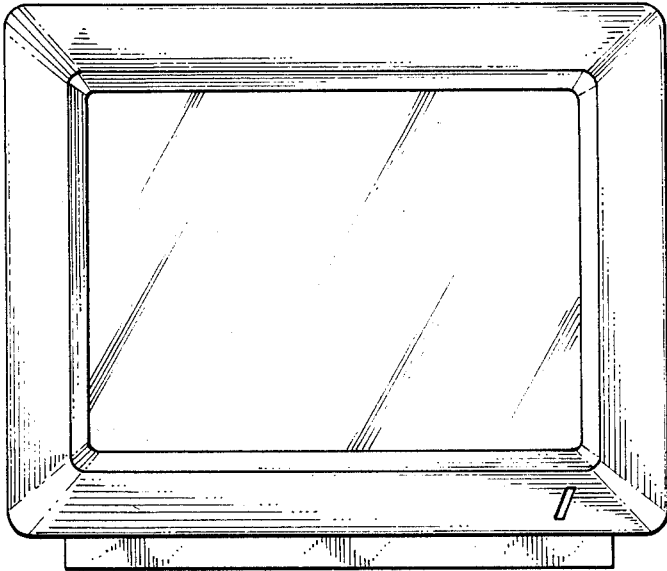


Fig. 3

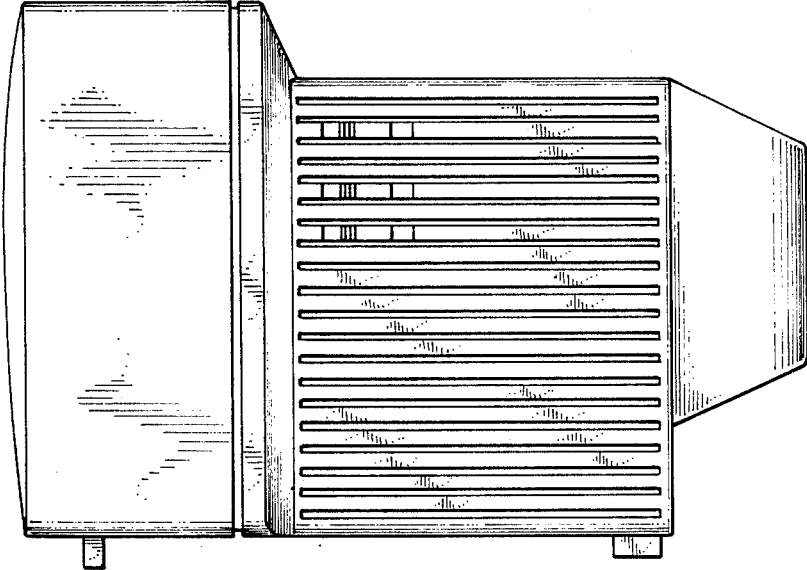


Fig. 4

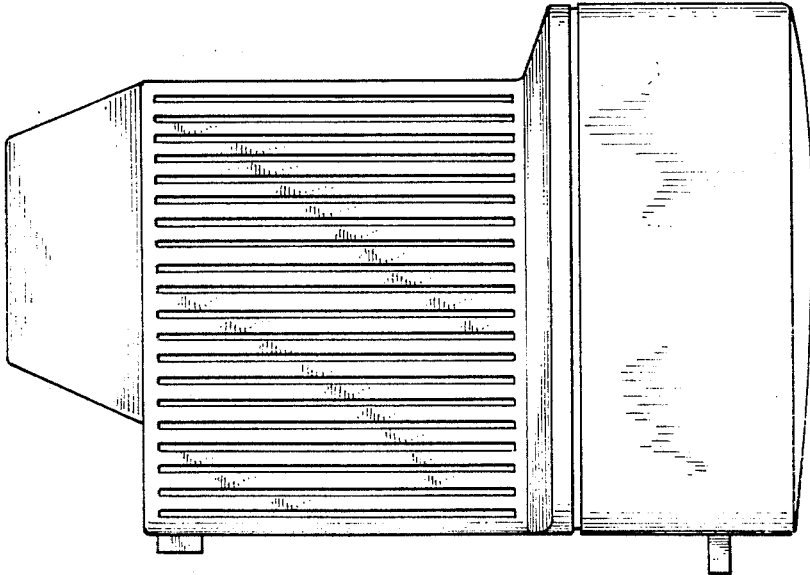


Fig. 5

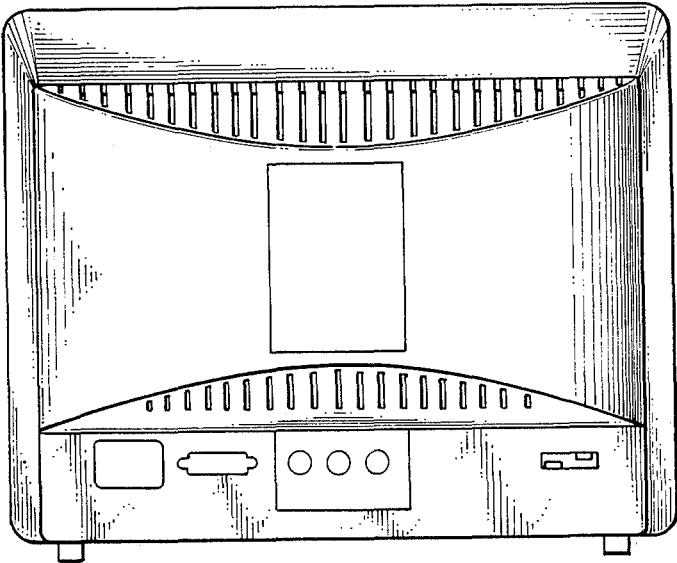


Fig. 6

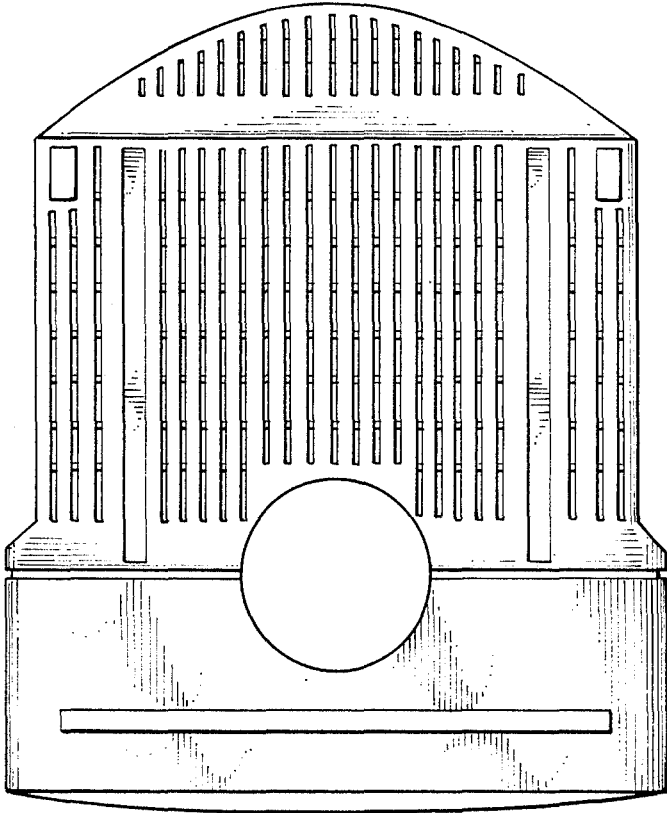


Fig. 7