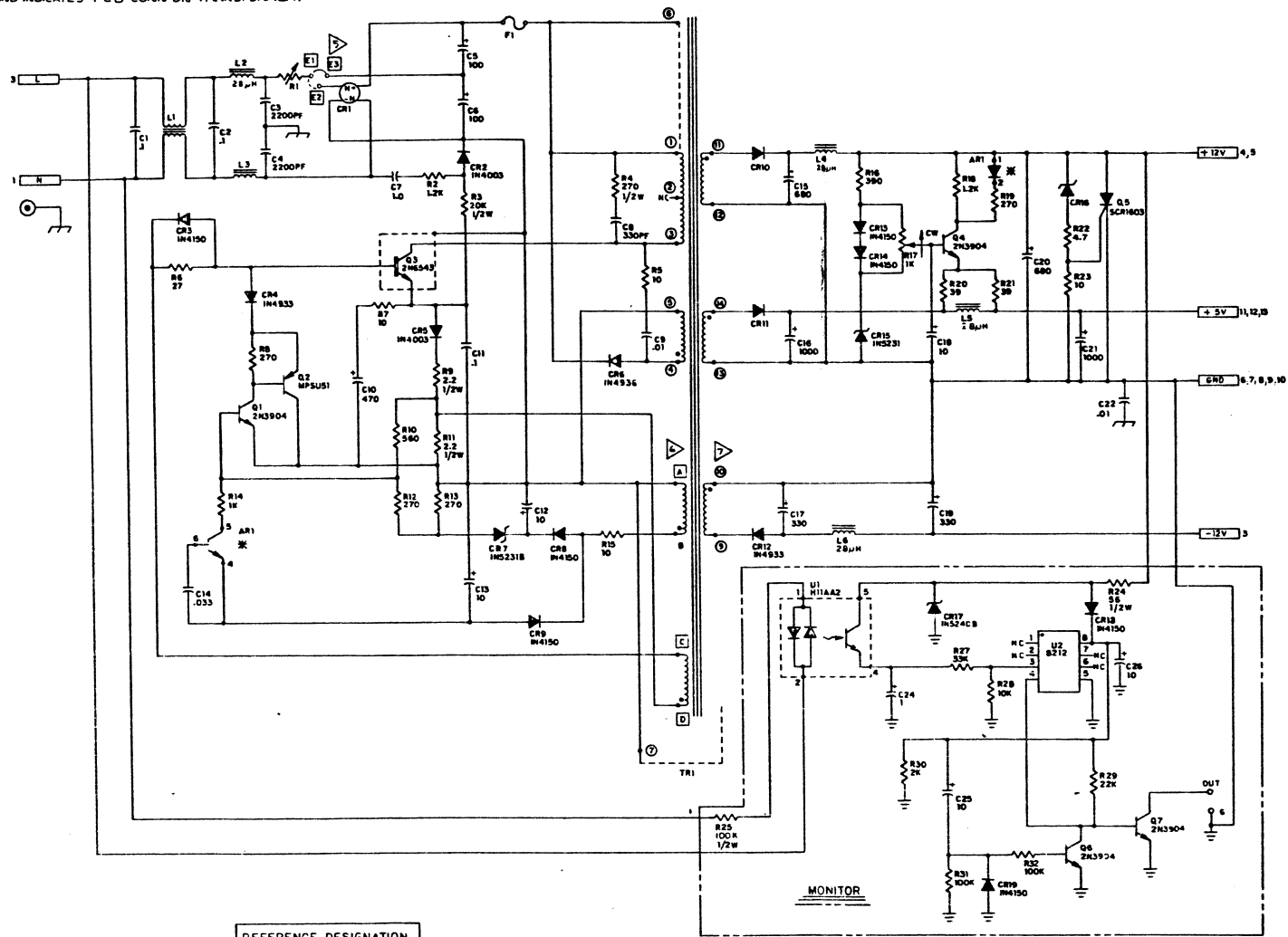


NOTE: UNLESS OTHERWISE SPECIFIED

1. ALL RESISTORS 1/4W ± 5%
2. ALL CAPACITORS ARE IN MICROFARADS UNLESS OTHERWISE SPECIFIED.
3. \* INDICATES SAME OPTO-COUPLEE AEI.
- ▷ JUMPER E1 TO E3 FOR 120 VAC INPUT,  
JUMPER E1 TO E2 FOR 240 VAC INPUT.
- ◻ SQUARE INDICATES: FLYLEAD ON TRANSFORMER.
- ROUND INDICATES: P.C.B. CONN ON TRANSFORMER.

REV	DATE	BY	DESCRIPTION
A	0203		INITIAL RELEASE
A	0204		ADDED REFERENCE DESIGNS (DEL'D NOTE 4; ADDED NOTE 5; CORRECTED ERRORS; ADDED NOTES 6 & 7)



REFERENCE DESIGNATION	
LAST USED	NOT USED
AR1	C23
C24	R22
CR15	
L6	
Q7	
R32	
U2	

# APPLE COMPUTER CONFIDENTIAL

**ENGINEERING RELEASE**  
This revision supersedes all previous versions. Please destroy all old copies.

**NOTICE OF PROPRIETARY PROPERTY**  
The information contained herein is the proprietary property of Apple Computer, Inc. The possessor agrees to the following:  
(I) To maintain this document in confidence.  
(II) Not to reproduce or copy it.  
(III) Not to reveal or publish it in whole or part.

ITEM	QTY	PART NUMBER	DESCRIPTION																												
<table border="0"> <tr> <td>TOLERANCES UNLESS OTHERWISE SPECIFIED</td> <td>DATE</td> <td>BY</td> <td>DESCRIPTION</td> </tr> <tr> <td>RESISTORS</td> <td>0204</td> <td>6-9-81</td> <td>Apple Computer Inc.</td> </tr> <tr> <td>CAPACITORS</td> <td></td> <td></td> <td>POWER SUPPLY PROFILE (SCHEMATIC)</td> </tr> <tr> <td>ANGLES</td> <td></td> <td></td> <td></td> </tr> <tr> <td>FINISHES</td> <td></td> <td></td> <td></td> </tr> <tr> <td>DRILLING</td> <td></td> <td></td> <td></td> </tr> <tr> <td>MATERIAL</td> <td></td> <td></td> <td></td> </tr> </table>				TOLERANCES UNLESS OTHERWISE SPECIFIED	DATE	BY	DESCRIPTION	RESISTORS	0204	6-9-81	Apple Computer Inc.	CAPACITORS			POWER SUPPLY PROFILE (SCHEMATIC)	ANGLES				FINISHES				DRILLING				MATERIAL			
TOLERANCES UNLESS OTHERWISE SPECIFIED	DATE	BY	DESCRIPTION																												
RESISTORS	0204	6-9-81	Apple Computer Inc.																												
CAPACITORS			POWER SUPPLY PROFILE (SCHEMATIC)																												
ANGLES																															
FINISHES																															
DRILLING																															
MATERIAL																															
REV	050-5009-A	SCALE	NONE																												
SHEET	1	OF 1																													

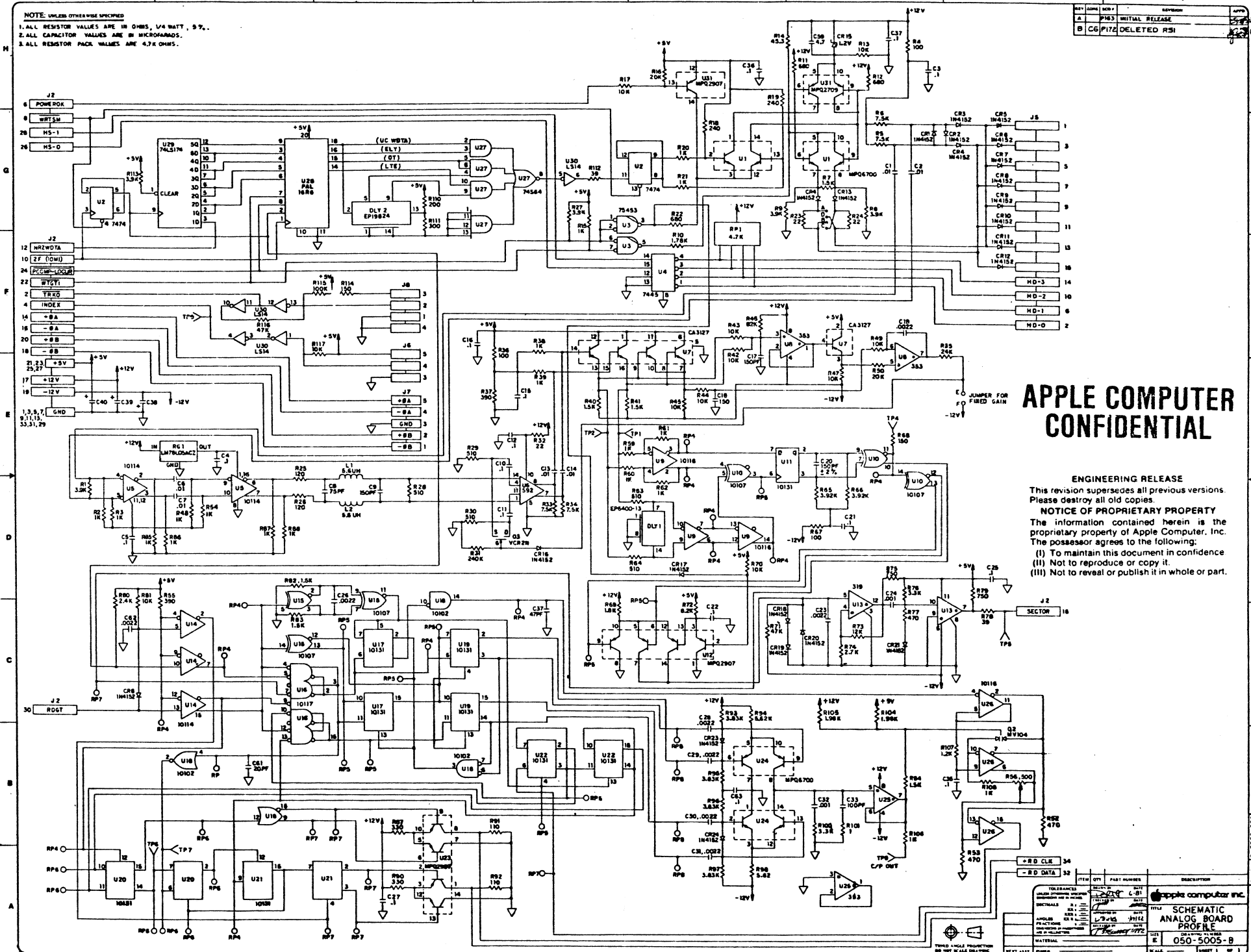
THIRD ANGLE PROJECTION  
SEE PAGE 1 FOR DIMENSIONS

100% INSPECTION REQUIRED  
 100% TEST REQUIRED



NOTE: UNLESS OTHERWISE SPECIFIED  
 1. ALL RESISTOR VALUES ARE IN OHMS, 1/4 WATT, 5%.  
 2. ALL CAPACITOR VALUES ARE IN MICROFARADS.  
 3. ALL RESISTOR PACK VALUES ARE 4.7K OHMS.

REV	DATE	BY	DESCRIPTION
A		PHS	INITIAL RELEASE
B		CGP/ITZ	DELETED R51



**APPLE COMPUTER  
 CONFIDENTIAL**

**ENGINEERING RELEASE**  
 This revision supersedes all previous versions.  
 Please destroy all old copies.  
**NOTICE OF PROPRIETARY PROPERTY**  
 The information contained herein is the  
 proprietary property of Apple Computer, Inc.  
 The possessor agrees to the following:  
 (I) To maintain this document in confidence  
 (II) Not to reproduce or copy it.  
 (III) Not to reveal or publish it in whole or part.

DESIGNED BY	DATE	REV	DESCRIPTION
PHS	11-11-78	1	INITIAL RELEASE
CGP/ITZ		2	DELETED R51

YIELDING	DATE	REV	DESCRIPTION
PHS	11-11-78	1	INITIAL RELEASE
CGP/ITZ		2	DELETED R51

APPROVED BY	DATE	REV	DESCRIPTION
PHS	11-11-78	1	INITIAL RELEASE
CGP/ITZ		2	DELETED R51

DATE	REV	DESCRIPTION
11-11-78	1	INITIAL RELEASE
	2	DELETED R51

PROJECT	DESCRIPTION
050-5005-B	ANALOG BOARD PROFILE